



DS Implants™

DS PrimeTaper™
Surgical product catalog



Products specifically designed for use with the PrimeTaper EV Implants are presented in this product catalog. For additional products, please refer to the product catalog for Astra Tech Implant System EV. For more information visit www.dentsplysirona.com

All Dentsply Sirona Instructions for Use are available on www.dentsplysirona.com/ifu

All products may not be regulatory cleared/released/licensed in all markets. Please contact the local Dentsply Sirona sales office for current product assortment and availability.

To improve readability for our customers, Dentsply Sirona does not use ® or ™ in body copy. However, Dentsply Sirona does not waive any right to the trademark and nothing herein shall be interpreted to the contrary.

Product illustrations are not to scale.

CONTENTS

1. Implant packaging	4
Color coding	4
2. Implants	5
3. Cover screws	6
4. Healing abutments	6
5. Instruments	8
Initial drills	8
Drills	8
Screw taps	9
Intermediate drills	9
6. Trays	10
7. Other surgical instruments	13
8. Instruments - Guided surgery	15
Punches	15
Drills	15
Intermediate drills	17
Taps	17
Sleeves	18
Driver	18
Stabilization Abutment	19
Guide Fixation	19
Surgical Tray	19
9. Material specifications	21
10. Index	22

1. Implant packaging

PrimeTaper EV implants are supplied in a blister container with an outer box.



Outer box package

- Implant diameter, specific color coding according to EV connection and implant length information on side labels.
- QR codes accessible on two sides.
- Stackable, all important product information remains visible.
- Instructions For Use (IFU) available electronically (eIFU): ifu.dentsplysirona.com

Blister

- Inner sterile package
- Contains implant container
- Peel-off label with batch code supporting a convenient documentation of the treatment.

Color coding

The DS PrimeTaper Implant line is available in different diameters and lengths. The color coding makes it easy to identify the correct connection and to select the right prosthetic components.

Implant Ø mm	3.0	3.6	4.2	4.8	5.4
Connections	XS	S	M	L	L
Lengths mm	-	-	6.5	6.5	6.5
	8	8	8	8	8
	9	9	9	9	9
	11	11	11	11	11
	13	13	13	13	13
	15	15	15	15	15
	-	17	17	17	-

2. Implants

XS PrimeTaper EV Ø3.0



Length mm	8	9	11	13	15
Order No.	68011085	68011086	68011087	68011088	68011089

S PrimeTaper EV Ø3.6



Length mm	8	9	11	13	15	17
Order No.	68011090	68011091	68011092	68011093	68011094	68011095

M PrimeTaper EV Ø4.2



Length mm	6.5	8	9	11	13	15	17
Order No.	68011096	68011097	68011098	68011099	68011100	68011101	68011102

L PrimeTaper EV Ø4.8



Length mm	6.5	8	9	11	13	15	17
Order No.	68011103	68011104	68011105	68011106	68011107	68011108	68011109

L PrimeTaper EV Ø5.4

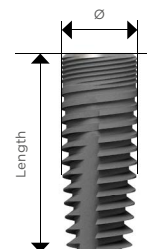


Length mm	6.5	8	9	11	13	15
Order No.	68011110	68011111	68011112	68011113	68011114	68011115

PrimeTaper EV

Titanium, sterile

- The implants are available in a versatile range of diameters and lengths for all indications, including situations with limited space and/or bone quantity.



XS

S

M

L

- Specific colors have been assigned to the different implant-abutment connection sizes and are consistently used throughout the system
- OsseoSpeed surface treatment over the entire implant including the micro threads up to the bevel
- Compatible with the restorative assortment with the EV connection

3. Cover screws

Cover Screw EV

Titanium alloy², sterile

Cover Screw EV

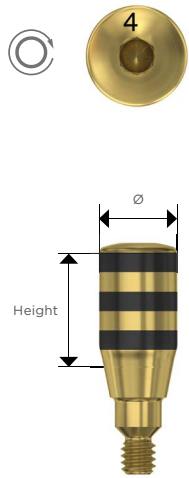
				
	XS	S	M	L
Order No.	68010001	68010002	68010005	68010006

4. Healing abutments

Healing Abutment EV

Titanium alloy², sterile

- For soft tissue sculpturing during the healing phase
- Color coded and marked with height
- Laser-marked bands for showing height



XS Healing Abutment EV

				
Ø mm	4	4	4	4
Height mm	2	3	4	6
Order No.	68013044	68013045	68013046	68013047





S Healing Abutment EV

				
Ø mm	4	4	4	4
Height mm	2	3	4	6
Order No.	68013048	68013049	68013050	68013051

M Healing Abutment EV

				
Ø mm	4	4	4	4
Height mm	2	3	4	6
Order No.	68013052	68013053	68013054	68013055

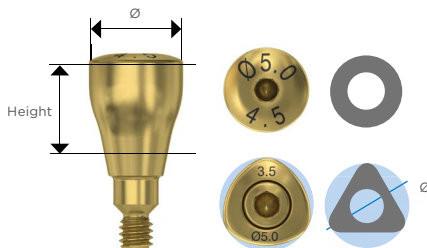
L Healing Abutment EV

				
Ø mm	4.3	4.3	4.3	4.3
Height mm	2	3	4	6
Order No.	68013056	68013057	68013058	68013059

HealDesign™ EV

Titanium alloy¹, sterile

- For soft tissue sculpturing during the healing phase
- Can be used for both one- and two-stage surgery
- Marked with diameter and height



Round shapes are indicated for all positions in the mouth.

Triangular shapes are indicated for anterior implant sites to mimic the incisors and canines. The Triangular HealDesign EV is a two-piece abutment.

XS HealDesign EV



∅ mm	3.5	3.5	3.5	3.5
Height mm	2.5	3.5	4.5	6.5
Order No.	68013001	68013002	68013003	68013004

S HealDesign EV



∅ mm	4	4	4	4	5	5	5	5	6	6	5
Height mm	2.5	3.5	4.5	6.5	2.5	3.5	4.5	6.5	3.5	4.5	3.5
Order No.	68013005	68013006	68013007	68013008	68013009	68013010	68013011	68013012	68013013	68013014	68013039

M HealDesign EV



∅ mm	5	5	5	5	6.5	6.5	6.5	6.5	5	6.5
Height mm	2.5	3.5	4.5	6.5	2.5	3.5	4.5	6.5	3.5	3.5
Order No.	68013015	68013016	68013017	68013018	68013019	68013020	68013021	68013022	68013040	68013041

L HealDesign EV



∅ mm	5	5	5	5	6.5	6.5	6.5	6.5	7.5	7.5	5	6.5
Height mm	2.5	3.5	4.5	6.5	2.5	3.5	4.5	6.5	3.5	4.5	3.5	3.5
Order No.	68013023	68013024	68013025	68013026	68013027	68013028	68013029	68013030	68013031	68013032	68013042	68013043

5. Instruments

Initial drills

Stainless steel[†], sterile

- Multiple use with option for single use except for the Precision Drill, which is for single use only
- Used to mark a starting point

The Precision Drill is an extremely sharp drill and should be handled with caution to avoid injury.

Guide Drill



Precision Drill



Ø mm	n/a	n/a
Order No.	68015133	68015134

Drills

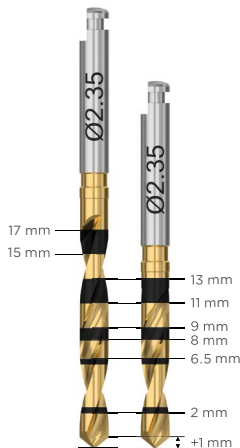
PrimeTaper Drill

Stainless steel[†], TiN-coated[†], sterile

- Laser-marked depth indication lines
- Multiple use with option for single use
- Marked with numbers 1-7

Drilling depth

- The drilling depth is measured from the widest part of the drill tip up to the indication line
- Additional tip depth is maximum 1.0 mm regardless of the diameter of the drill



Short



Ø mm	1.9	2.35	2.95	3.55	4.15	4.75	5.35
Order No.	68015324	68015325	68015326	68015327	68015328	68015329	68015330

Long



Ø mm	1.9	2.35	2.95	3.55	4.15	4.75
Order No.	68015331	68015332	68015333	68015334	68015335	68015336

Screw taps

PrimeTaper Tap

Stainless steel[†], sterile

- Depth marked 6.5 mm
- Multiple use with option for single use
- Marked with the respective implant diameters

PrimeTaper Tap



Ø mm	3.0	3.6	4.2	4.8	5.4
Order No.	68015347	68015348	68015349	68015350	68015351

Intermediate drills

PrimeTaper Drill

Stainless steel[†], TiN-coated[†], sterile

- Intermediate drills for fine-tuning the diameter of the osteotomy
- Laser-marked depth indication lines
- Multiple use with option for single use
- Marked with the respective numbers

Short



Ø mm	2.65	3.25	3.85	4.45	5.05
Order No.	68015337	68015338	68015339	68015340	68015341

Long



Ø mm	2.65	3.25	3.85	4.45	5.05
Order No.	68015342	68015343	68015344	68015345	68015346

6. Trays

PrimeTaper Surgical Tray

PPSU plastic¹, silicone² holders, non-sterile

The PrimeTaper Surgical Tray is used during surgery and for storage of PrimeTaper surgical instruments.

- Instruments arranged in order of usage
- Two layers for instruments
- Grommet-less solution for easier cleaning
- Colors and icons supporting surgical procedure
- Scannable QR code for further information
- Contains no instruments



[Please contact customer service to order PrimeTaper Surgical Kit \(surgical tray and necessary instruments\)](#)

Size mm	Length 138	Width 190	Height 61.5
Order No.	68015321		

Upper tray

PrimeTaper Drill long

- Ø1.9 Order no. 68015331
- Ø2.35 Order no. 68015332
- Ø2.95 Order no. 68015333
- Ø3.55 Order no. 68015334
- Ø4.15 Order no. 68015335
- Ø4.75 Order no. 68015336

PrimeTaper Drill short

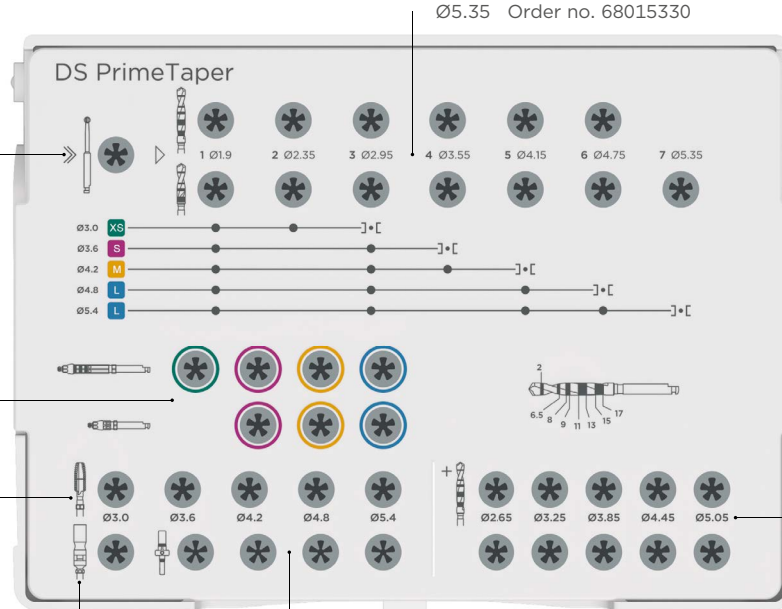
- Ø1.9 Order no. 68015324
- Ø2.35 Order no. 68015325
- Ø2.95 Order no. 68015326
- Ø3.55 Order no. 68015327
- Ø4.15 Order no. 68015328
- Ø4.75 Order no. 68015329
- Ø5.35 Order no. 68015330

Guide Drill
Order no. 68015133

Implant Driver EV
long
XS Order no. 68015187
S Order no. 68015189
M Order no. 68015191
L Order no. 68015193

short
S Order no. 68015188
M Order no. 68015190
L Order no. 68015192

PrimeTaper Tap
Ø3.0 Order no. 68015347
Ø3.6 Order no. 68015348
Ø4.2 Order no. 68015349
Ø4.8 Order no. 68015350
Ø5.4 Order no. 68015351



Instrument Extender
Order no. 68015197

PrimeTaper Direction Indicator
Order no. 68015352

Intermediate Drill
short
Ø2.65 Order no. 68015337
Ø3.25 Order no. 68015338
Ø3.85 Order no. 68015339
Ø4.45 Order no. 68015340
Ø5.05 Order no. 68015341

long
Ø2.65 Order no. 68015342
Ø3.25 Order no. 68015343
Ø3.85 Order no. 68015344
Ø4.45 Order no. 68015345
Ø5.05 Order no. 68015346

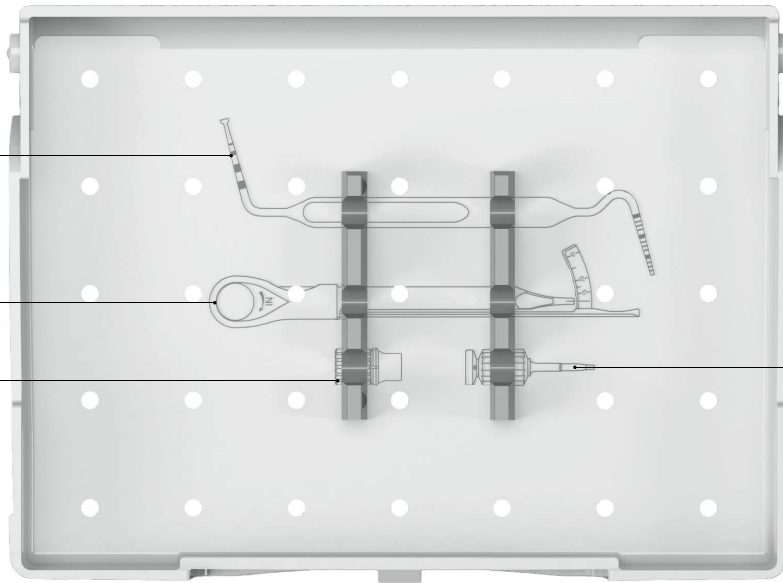
Lower tray

PrimeTaper/Astra Tech
Implant Depth Gauge
Order No. 68015198

Torque Wrench EV
Order No. 25774

Torque Wrench EV
Surgical Driver Handle
Order No. 25775

Hex Driver
Order No. 25772



QR code for additional
information about the
surgical tray.



PrimeTaper Washtray

Stainless steel¹, PEEK², silicon³, aluminum alloy²

- Hosts all drills and instruments needed for surgery with DS PrimeTaper
- Accommodates instruments holders, removable overlay and guide



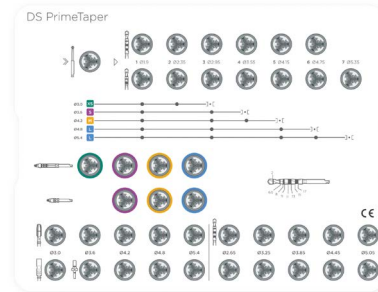
Size mm	Length 276	Width 176	Height 59
Order No.	68015323		

PrimeTaper Washtray Overlay

Aluminum alloy²

- Used together with the PrimeTaper Washtray

The overlay must be separated from the washtray before cleaning, and re-assembled prior to sterilization. For further information, please refer to the Cleaning and sterilization instruction manual.



Order No.	68015353
-----------	----------

7. Other surgical instruments

Short



Total length mm	22.9	23.0	23.1
Order No.	68015188	68015190	68015192

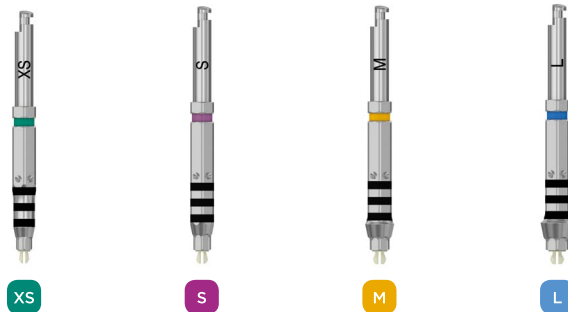
Implant Driver EV

Stainless steel¹, PEEK², non-sterile

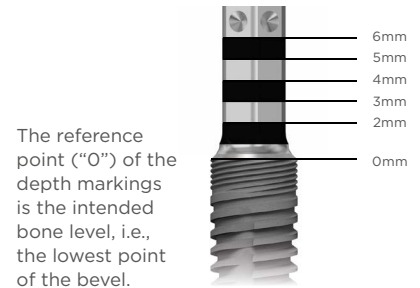
- For picking up and installing implants
- Color coded
- Marked with depth indications and connection size
- Dots to facilitate correct positioning

For use with the contra angle or the Torque Wrench EV Surgical Driver Handle.

Long



Total length mm	32.3	33.0	33.2	33.3
Order No.	68015187	68015189	68015191	68015193



PrimeTaper Direction Indicator

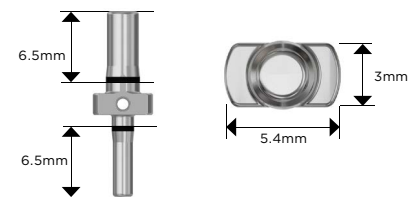


Order No.	68015352
-----------	----------

PrimeTaper Direction Indicator

Titanium alloy¹, non-sterile

- Used after drill ① and drill ③



Instrument Extender



Order No.	68015197
-----------	----------

PrimeTaper/Astra Tech Implant Depth Gauge



Instrument Extender

Stainless steel¹, non-sterile

- Used for extending the length of a drill or the Implant Driver EV

PrimeTaper/Astra Tech Implant Depth Gauge

Titanium alloy¹, non-sterile

- One end corresponds to the implant lengths
- One end is a measuring probe with 0-15 mm markings

Torque Wrench EV

Stainless steel¹, non-sterile

- Used together with the surgical driver handle

Torque Wrench EV Surgical Driver Handle

Stainless steel¹, non-sterile

- Used together with the torque wrench

Torque Wrench EV



Order No.	25774	25775
-----------	-------	-------

Torque Wrench EV Surgical Driver Handle



Hex Driver

Stainless steel¹, non-sterile

- Used together with a contra angle or the surgical driver handle

Hex Driver



Total length mm	20	24	35
Order No.	68015207	68015205	68015206

Hex Driver Manual

Stainless steel¹, non-sterile

Hex Driver Manual



Total length mm	20	31
Order No.	25771	25772

Mucosal Punch

Stainless steel¹, ABS plastic², sterile, single use

QTY 5

Mucosal Punch



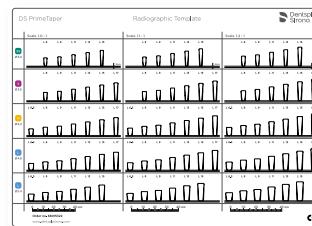
Ø mm	3.5	4	4.5	5	5.5	6.5
Order No.	25711	25712	25713	25714	25715	25731

PrimeTaper Radiographic Template

PC Plastic³, non-sterile

- Planning tool prior to implant surgery
- Used together with the X-ray of the patient's jaw
- Magnification range is from 1.0 to 1.5 presented in two separate sheets

PrimeTaper Radiographic Template



Order No.	68015322
-----------	----------

8. Instruments - Guided surgery

Specific instruments are available for guided implant installation of DS PrimeTaper implants. They can only be used together with the Simplant SAFE Guide and CEREC Guide 3. Some products are also used for Astra Tech Implant EV, identified through 5-digit order no. When references are made to 6mm depths or lengths, that corresponds to PrimeTaper GS 6.5mm. When using Simplant software or Simplant planning service, case-specific guided surgery instruments can be ordered with the Simplant SAFE Guide.

Punch EV-GS



Ø mm	3.6	4.2	4.8
Order No.	26010	26011	26012

Initial Drill EV-GS



Ø mm	3.6	4.2	4.8
Order No.	26013	26014	26015

1-Drill EV-GS



Ø mm	1.9 ND	1.9 ND	1.9 ND	1.9 WD	1.9 WD	1.9 WD
Implant length mm	6-8	9-11	13-15	6-8	9-11	13-15
Order No.	26051	26052	26053	26060	26061	26062

Punches

Punch EV-GS

Stainless steel¹, sterile

Used to make a circular incision of the implant diameter in the mucosa up to the coronal bone level where the implant shoulder is to be positioned.

- Single use
- Marked with diameter
- Depth marking according to the implant length

Drills

Initial Drill EV-GS

Stainless steel¹, sterile

Used to remove mucosa or to create a centering indentation in the bone for the following drill GS.

- Multiple use
- Marked with diameter
- Depth marking according to the implant length

1-Drill EV-GS

Stainless steel¹, sterile

The first drill for preparing the osteotomy to the planned implant length.

- A drill sleeve is pre-assembled
- Drill: Multiple use
- Sleeve: Single use
- Depth stop
- Guided with the Sleeve-on-Drill system
- Drill sleeve marked with diameter, number and ND for implant Ø3.6mm - Ø4.2mm, WD for implant Ø4.8mm.
- Drills marked with number, length and diameter

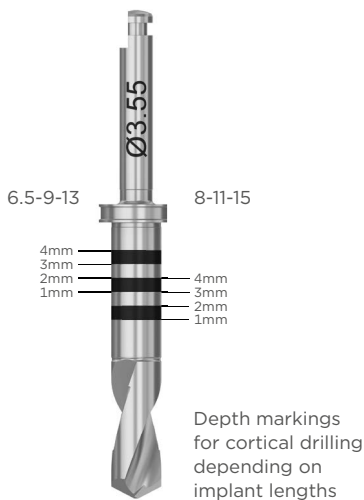
PrimeTaper Drill GS

Stainless steel¹, sterile

The drills are used to prepare the implant site successively to the planned implant length and diameter.

- Multiple use
- Depth stop
- Guided with the Sleeve-on-Drill system
- Marked with the respective number, length and diameter

A drill sleeve is needed and must be ordered separately



Depth markings for cortical drilling depending on implant lengths

PrimeTaper Drill GS with an attached drill sleeve is also used for the cortical preparation. Use drills 4, 5 and 6 with 6.5-8mm lengths which have the intended depth markings. The drilling depth must be visually controlled when not using the depth stop.

PrimeTaper Drill GS

2

2

2

3

3

3



Ø mm	2.35	2.35	2.35	2.95	2.95	2.95
Implant length mm	6.5-8	9-11	13-15	6.5-8	9-11	13-15
Order No.	68017229	68017230	68017231	68017232	68017233	68017234

4

4

4

5

5

5

6



Ø mm	3.55	3.55	3.55	4.15	4.15	4.15	4.75
Implant length mm	6.5-8	9-11	13-15	6.5-8	9-11	13-15	6.5-8
Order No.	68017235	68017236	68017237	68017238	68017239	68017240	68017241

Intermediate drills

PrimeTaper Drill GS

Stainless steel¹, sterile

Used for fine-tuning the diameter of the osteotomy.

- Multiple use
- Depth stop
- Guided with the Sleeve-on-Drill system
- Marked with the respective number, length and diameter

PrimeTaper Drill GS



Ø mm	2.65	2.65	2.65	3.25	3.25	3.25
Implant length mm	6.5-8	9-11	13-15	6.5-8	9-11	13-15
Order No.	68017242	68017243	68017244	68017245	68017246	68017247



Ø mm	3.85	3.85	3.85	4.45	4.45	4.45
Implant length mm	6.5-8	9-11	13-15	6.5-8	9-11	13-15
Order No.	68017248	68017249	68017250	68017251	68017252	68017253

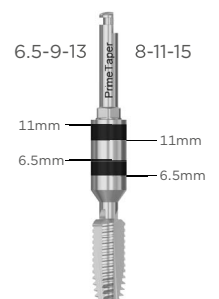
Taps

PrimeTaper Tap GS

Stainless steel¹, sterile

Used to tap a thread in very dense bone.

- Multiple use
- Marked with implant diameter
- Markings for tapping depth indication



Depth markings for tapping depending on implant lengths.

PrimeTaper Tap GS



Ø mm	3.6	4.2	4.8
Order No.	68017226	68017227	68017228

Sleeves

Sleeve

Stainless steel¹, sterile

For safe guidance of the drills in the surgical guide

- Single use
- Pre-assembled on 1-Drill EV-GS
- Sleeve-on-Drill system
- Marked with ND (Narrow Diameter) when used with drills for implant Ø3.6mm and Ø4.2mm or WD (Wide Diameter) for implant Ø4.8mm
- Marked with Ø1.9 and (1)

1-Sleeve Ø1.9



No.	1	1
Ø	ND	WD
Order No.	26022	26027

PrimeTaper Drill Sleeve GS

Stainless steel¹, sterile

For safe guidance of the drills in the surgical guide.

- Single use
- Sleeve-on-Drill system
- Marked with ND (Narrow Diameter) when used with drills for implant Ø3.6mm and Ø4.2mm or WD (Wide Diameter) for implant Ø4.8mm
- Marked with the respective diameter and number corresponding to the drills they are used for

PrimeTaper Sleeve GS



No.	2	3	3	4	4	5	5	6
Ø	ND	ND	WD	ND	WD	ND	WD	WD
Order No.	68017254	68017255	68017256	68017257	68017258	68017259	68017260	68017261

Drill Sleeve is needed and must be ordered separately



No.	2½	3½	4½	4½	5½
Ø	ND	ND	ND	WD	WD
Order No.	68017262	68017263	68017264	68017265	68017266

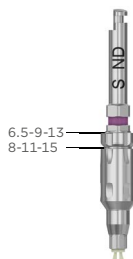
Driver

Implant Driver EV GS

Stainless steel¹, non-sterile

For installing the implant in the prepared implant site.

- Two grooves on the shaft indicate the corresponding implant installation depths 8-11-15 mm and 6.5-9-13mm
- Multiple use
- Color coded



Implant Driver EV GS



Connection	S	M	L
Ø	ND	ND	WD
Order No.	68017001	68017002	68017003

Stabilization Abutment

EV-Stabilization Abutment

Titanium alloy², non-sterile

Used to prevent movement of the drilling guide during preparation of the implant site.

- Multiple use
- Marked with diameter and implant length 6-9-13 mm or 8-11-15 mm
- Color coded

EV-Stabilization Abutment



S

S

M

M

L

L

Connection						
Implant length mm	8-11-15	6-9-13	8-11-15	6-9-13	8-11-15	6-9-13
Order No.	26033	26034	26035	26036	26037	26038

Guide Fixation

Drill for Guide fixation screw

Stainless steel¹, sterile

Prepare the bone for the fixation screw.

- Multiple use

Guide Fixation Screw

Stainless steel¹, sterile

Secures the guide directly to the bone to avoid guide movement.

- Single use

Drill for Guide fixation screw

Guide Fixation Screw



	14mm	Ø2.0
Order No.	26050	26049

Surgical Tray

PrimeTaper Surgical Tray GS

PPSU¹, silicone² holders, non-sterile

The tray GS is used during surgery and for storage of PrimeTaper surgical instruments.

- Two layers for instruments
- Grommet-less solution for easier cleaning
- Colors and icons supporting surgical procedure
- Scannable QR code for further information
- Contains no instruments

Please contact customer service to order PrimeTaper Surgical Kit GS (surgical tray and necessary instruments)

PrimeTaper Surgical Tray GS



Size mm	Length 138	Width 190	Height 61.5
Order No.	68017268		

Upper tray

1-Drill EV-GS

- ① Ø1.9 6/6.5-8mm Order No. 26051
- ① Ø1.9 9-11mm Order No. 26052
- ① Ø1.9 13-15mm Order No. 26053

PrimeTaper Drill GS

- ② Ø2.35 6.5-8mm Order No. 68017229
- ② Ø2.35 9-11mm Order No. 68017230
- ② Ø2.35 13-15mm Order No. 68017231
- ③ Ø2.95 6.5-8mm Order No. 68017232
- ③ Ø2.95 9-11mm Order No. 68017233
- ③ Ø2.95 13-15mm Order No. 68017234

- ④ Ø3.55 6.5-8mm Order No. 68017235
- ④ Ø3.55 9-11mm Order No. 68017236
- ④ Ø3.55 13-15mm Order No. 68017237
- ⑤ Ø4.15 6.5-8mm Order No. 68017238
- ⑤ Ø4.15 9-11mm Order No. 68017239
- ⑤ Ø4.15 13-15mm Order No. 68017240
- ⑥ Ø4.75 6.5-8mm Order No. 68017241

Initial Drill EV-GS

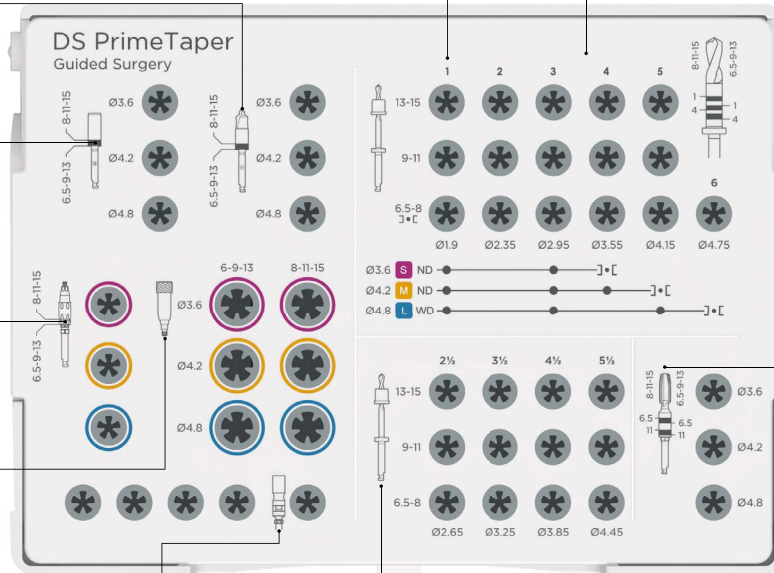
- Ø3.6 ND Order No. 26013
- Ø4.2 ND Order No. 26014
- Ø4.8 WD Order No. 26015

Punch EV-GS

- Ø3.6 Order No. 26010
- Ø4.2 Order No. 26011
- Ø4.8 Order No. 26012

Implant Driver EV GS

- (S) ND Order No. 68017001
- (M) ND Order No. 68017002
- (L) WD Order No. 68017003



EV-Stabilization Abutment

- Ø3.6 8-11-15mm Order No. 26033
- Ø3.6 6-9-13mm Order No. 26034
- Ø4.2 8-11-15mm Order No. 26035
- Ø4.2 6-9-13mm Order No. 26036
- Ø4.8 8-11-15mm Order No. 26037
- Ø4.8 6-9-13mm Order No. 26038

Instrument Extender

Order No. 68015197

Intermediate Drills PrimeTaper GS

- ②½ Ø2.65 6.5-8mm Order No. 68017242
- ②½ Ø2.65 9-11mm Order No. 68017243
- ②½ Ø2.65 13-15mm Order No. 68017244
- ③½ Ø3.25 6.5-8mm Order No. 68017245
- ③½ Ø3.25 9-11mm Order No. 68017246
- ③½ Ø3.25 13-15mm Order No. 68017247

- ④½ Ø3.85 6.5-8mm Order No. 68017248
- ④½ Ø3.85 9-11mm Order No. 68017249
- ④½ Ø3.85 13-15mm Order No. 68017250
- ⑤½ Ø4.45 6.5-8mm Order No. 68017251
- ⑤½ Ø4.45 9-11mm Order No. 68017252
- ⑤½ Ø4.45 13-15mm Order No. 68017253

PrimeTaper Tap GS

- Ø3.6 ND Order No. 68017226
- Ø4.2 ND Order No. 68017227
- Ø4.8 WD Order No. 68017228

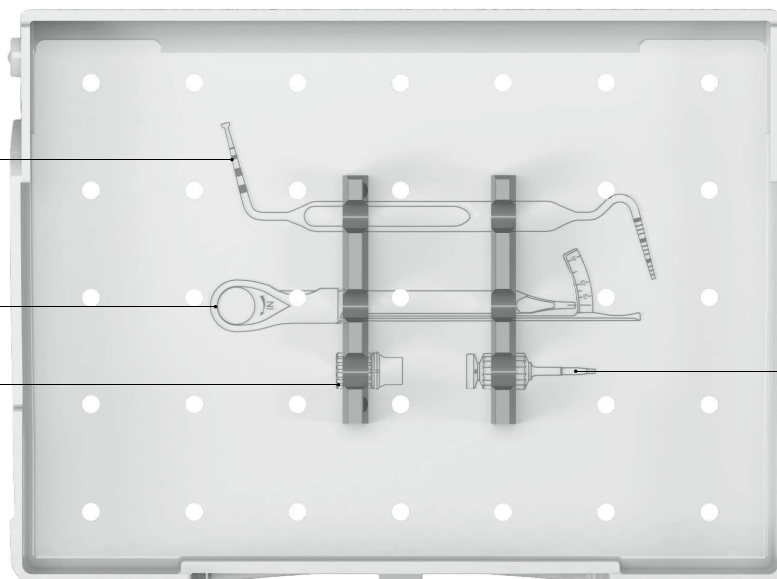
Lower tray

**PrimeTaper/Astra Tech
Implant Depth Gauge**
Order No. 68015198

Torque Wrench EV
Order No. 25774

**Torque Wrench EV
Surgical Driver Handle**
Order No. 25775

Hex Driver
Order No. 25772



9. Material specifications

Index * will be found at material description for specific products.

Metals

Type	Index	Composition/Designation	Standard
Titanium	1	Titanium – Grade 4	ASTM F67
Titanium alloy	2	Ti6Al4V	ASTM F136
Stainless steel	3	Surgical stainless steel	ASTM F899
TiN Coating	4	Titanium Nitride	
Aluminum alloy	5	AlMg1	

Plastics

Type	Index	Composition/Designation	Standard
PEEK	6	Polyetheretherketone	
PPSU	7	Polyphenylsulfone	
Silicone	8	Polysiloxane	
ABS	9	Acrylonitrile butadiene styrene	
PC	10	Polycarbonate	

10. Index

By order number

Order No.	page	Order No.	page		
25711	Mucosal Punch Ø3.5.....	14	68011112	PrimeTaper EV Ø5.4 x 9mm.....	5
25712	Mucosal Punch Ø4.0.....	14	68011113	PrimeTaper EV Ø5.4 x 11mm.....	5
25713	Mucosal Punch Ø4.5.....	14	68011114	PrimeTaper EV Ø5.4 x 13mm.....	5
25714	Mucosal Punch Ø5.0.....	14	68011115	PrimeTaper EV Ø5.4 x 15mm.....	5
25715	Mucosal Punch Ø5.5.....	14	68013001	HealDesign EV (XS) Ø3.5 2.5mm.....	7
25731	Mucosal Punch Ø6.5.....	14	68013002	HealDesign EV (XS) Ø3.5 3.5mm.....	7
25771	Hex Driver 20mm manual.....	14	68013003	HealDesign EV (XS) Ø3.5 4.5mm.....	7
25772	Hex Driver 31mm manual.....	14	68013004	HealDesign EV (XS) Ø3.5 6.5mm.....	7
25774	Torque Wrench EV.....	14	68013005	HealDesign EV (S) Ø4 2.5mm.....	7
25775	Torque Wrench EV Surgical Driver Handle.....	14	68013006	HealDesign EV (S) Ø4 3.5mm.....	7
26010	Punch EV-GS Ø3.6.....	15	68013007	HealDesign EV (S) Ø4 4.5mm.....	7
26011	Punch EV-GS Ø4.2.....	15	68013008	HealDesign EV (S) Ø4 6.5mm.....	7
26012	Punch EV-GS Ø4.8.....	15	68013009	HealDesign EV (S) Ø5 2.5mm.....	7
26013	Initial Drill EV-GS Ø3.6.....	15	68013010	HealDesign EV (S) Ø5 3.5mm.....	7
26014	Initial Drill EV-GS Ø4.2.....	15	68013011	HealDesign EV (S) Ø5 4.5mm.....	7
26015	Initial Drill EV-GS Ø4.8.....	15	68013012	HealDesign EV (S) Ø5 6.5mm.....	7
26022	1-Sleeve Ø1.9 Ø ND.....	18	68013013	HealDesign EV (S) Ø6 3.5mm.....	7
26027	1-Sleeve Ø1.9 Ø WD.....	18	68013014	HealDesign EV (S) Ø6 4.5mm.....	7
26033	EV-Stabilization Abutment, 8-11-15 mm, Ø3.6.....	19	68013015	HealDesign EV (M) Ø5 2.5mm.....	7
26034	EV-Stabilization Abutment, 6-9-13 mm, Ø3.6.....	19	68013016	HealDesign EV (M) Ø5 3.5mm.....	7
26035	EV-Stabilization Abutment, 8-11-15 mm, Ø4.2.....	19	68013017	HealDesign EV (M) Ø5 4.5mm.....	7
26036	EV-Stabilization Abutment, 6-9-13 mm, Ø4.2.....	19	68013018	HealDesign EV (M) Ø5 6.5mm.....	7
26037	EV-Stabilization Abutment 8-11-15mm, Ø4.8.....	19	68013019	HealDesign EV (M) Ø6.5 2.5mm.....	7
26038	EV-Stabilization Abutment 6-9-13mm, Ø4.8.....	19	68013020	HealDesign EV (M) Ø6.5 3.5mm.....	7
26049	Guide Fixation Screw.....	19	68013021	HealDesign EV (M) Ø6.5 4.5mm.....	7
26050	Drill for Guide fixation screw.....	19	68013022	HealDesign EV (M) Ø6.5 6.5mm.....	7
26051	1-Drill EV-GS Ø1.9 ND 6.5-8mm.....	15	68013023	HealDesign EV (L) Ø5 2.5mm.....	7
26052	1-Drill EV-GS Ø1.9 ND 9-11mm.....	15	68013024	HealDesign EV (L) Ø5 3.5mm.....	7
26053	1-Drill EV-GS Ø1.9 ND 13-15mm.....	15	68013025	HealDesign EV (L) Ø5 4.5mm.....	7
26060	1-Drill EV-GS Ø1.9 WD 6.5-8mm.....	15	68013026	HealDesign EV (L) Ø5 6.5mm.....	7
26061	1-Drill EV-GS Ø1.9 WD 9-11mm.....	15	68013027	HealDesign EV (L) Ø6.5 2.5mm.....	7
26062	1-Drill EV-GS Ø1.9 WD 13-15mm.....	15	68013028	HealDesign EV (L) Ø6.5 3.5mm.....	7
68010001	Cover Screw EV (XS).....	6	68013029	HealDesign EV (L) Ø6.5 4.5mm.....	7
68010002	Cover Screw EV (S).....	6	68013030	HealDesign EV (L) Ø6.5 6.5mm.....	7
68010005	Cover Screw EV (M).....	6	68013031	HealDesign EV (L) Ø7.5 3.5mm.....	7
68010006	Cover Screw EV (L).....	6	68013032	HealDesign EV (L) Ø7.5 4.5mm.....	7
68011085	PrimeTaper EV Ø3.0 x 8mm.....	5	68013039	HealDesign EV (S) Ø5 3.5mm Triangular.....	7
68011086	PrimeTaper EV Ø3.0 x 9mm.....	5	68013040	HealDesign EV (M) Ø5 3.5mm Triangular.....	7
68011087	PrimeTaper EV Ø3.0 x 11mm.....	5	68013041	HealDesign EV (M) Ø6.5 3.5mm Triangular.....	7
68011088	PrimeTaper EV Ø3.0 x 13mm.....	5	68013042	HealDesign EV (L) Ø5 3.5mm Triangular.....	7
68011089	PrimeTaper EV Ø3.0 x 15mm.....	5	68013043	HealDesign EV (L) Ø6.5 3.5mm Triangular.....	7
68011090	PrimeTaper EV Ø3.6 x 8mm.....	5	68013044	Healing Abutment EV (XS) 2mm.....	6
68011091	PrimeTaper EV Ø3.6 x 9mm.....	5	68013045	Healing Abutment EV (XS) 3mm.....	6
68011092	PrimeTaper EV Ø3.6 x 11mm.....	5	68013046	Healing Abutment EV (XS) 4mm.....	6
68011093	PrimeTaper EV Ø3.6 x 13mm.....	5	68013047	Healing Abutment EV (XS) 6mm.....	6
68011094	PrimeTaper EV Ø3.6 x 15mm.....	5	68013048	Healing Abutment EV (S) 2mm.....	6
68011095	PrimeTaper EV Ø3.6 x 17mm.....	5	68013049	Healing Abutment EV (S) 3mm.....	6
68011096	PrimeTaper EV Ø4.2 x 6.5mm.....	5	68013050	Healing Abutment EV (S) 4mm.....	6
68011097	PrimeTaper EV Ø4.2 x 8mm.....	5	68013051	Healing Abutment EV (S) 6mm.....	6
68011098	PrimeTaper EV Ø4.2 x 9mm.....	5	68013052	Healing Abutment EV (M) 2mm.....	6
68011099	PrimeTaper EV Ø4.2 x 11mm.....	5	68013053	Healing Abutment EV (M) 3mm.....	6
68011100	PrimeTaper EV Ø4.2 x 13mm.....	5	68013054	Healing Abutment EV (M) 4mm.....	6
68011101	PrimeTaper EV Ø4.2 x 15mm.....	5	68013055	Healing Abutment EV (M) 6mm.....	6
68011102	PrimeTaper EV Ø4.2 x 17mm.....	5	68013056	Healing Abutment EV (L) 2mm.....	6
68011103	PrimeTaper EV Ø4.8 x 6.5mm.....	5	68013057	Healing Abutment EV (L) 3mm.....	6
68011104	PrimeTaper EV Ø4.8 x 8mm.....	5	68013058	Healing Abutment EV (L) 4mm.....	6
68011105	PrimeTaper EV Ø4.8 x 9mm.....	5	68013059	Healing Abutment EV (L) 6mm.....	6
68011106	PrimeTaper EV Ø4.8 x 11mm.....	5	68015133	Guide Drill.....	8
68011107	PrimeTaper EV Ø4.8 x 13mm.....	5	68015134	Precision Drill.....	8
68011108	PrimeTaper EV Ø4.8 x 15mm.....	5	68015187	Implant Driver EV (XS) long.....	13
68011109	PrimeTaper EV Ø4.8 x 17mm.....	5	68015188	Implant Driver EV (S) short.....	13
68011110	PrimeTaper EV Ø5.4 x 6.5mm.....	5	68015189	Implant Driver EV (S) long.....	13
68011111	PrimeTaper EV Ø5.4 x 8mm.....	5	68015190	Implant Driver EV (M) short.....	13

Order No.	page	Order No.	page
68015191	13	68017003	18
68015192	13	68017226	17
68015193	13	68017227	17
68015197	13	68017228	17
68015198	13	68017229	16
68015205	14	68017230	16
68015206	14	68017231	16
68015207	14	68017232	16
68015321	10	68017233	16
68015322	14	68017234	16
68015323	12	68017235	16
68015324	8	68017236	16
68015325	8	68017237	16
68015326	8	68017238	16
68015327	8	68017239	16
68015328	8	68017240	16
68015329	8	68017241	16
68015330	8	68017242	17
68015331	8	68017243	17
68015332	8	68017244	17
68015333	8	68017245	17
68015334	8	68017246	17
68015335	8	68017247	17
68015336	8	68017248	17
68015337	9	68017249	17
68015338	9	68017250	17
68015339	9	68017251	17
68015340	9	68017252	17
68015341	9	68017253	17
68015342	9	68017254	18
68015343	9	68017255	18
68015344	9	68017256	18
68015345	9	68017257	18
68015346	9	68017258	18
68015347	9	68017259	18
68015348	9	68017260	18
68015349	9	68017261	18
68015350	9	68017262	18
68015351	9	68017263	18
68015352	13	68017264	18
68015353	12	68017265	18
68017001	18	68017266	18
68017002	18	68017268	19
		68017003	18
		68017226	17
		68017227	17
		68017228	17
		68017229	16
		68017230	16
		68017231	16
		68017232	16
		68017233	16
		68017234	16
		68017235	16
		68017236	16
		68017237	16
		68017238	16
		68017239	16
		68017240	16
		68017241	16
		68017242	17
		68017243	17
		68017244	17
		68017245	17
		68017246	17
		68017247	17
		68017248	17
		68017249	17
		68017250	17
		68017251	17
		68017252	17
		68017253	17
		68017254	18
		68017255	18
		68017256	18
		68017257	18
		68017258	18
		68017259	18
		68017260	18
		68017261	18
		68017262	18
		68017263	18
		68017264	18
		68017265	18
		68017266	18
		68017268	19

Alphabetical order

Order No.		page	Order No.		page
26051	1-Drill EV-GS Ø1.9 ND 6.5-8mm	15	68013059	Healing Abutment EV (L) 6mm	6
26052	1-Drill EV-GS Ø1.9 ND 9-11mm	15	68013052	Healing Abutment EV (M) 2mm	6
26053	1-Drill EV-GS Ø1.9 ND 13-15mm	15	68013053	Healing Abutment EV (M) 3mm	6
26060	1-Drill EV-GS Ø1.9 WD 6.5-8mm	15	68013054	Healing Abutment EV (M) 4mm	6
26061	1-Drill EV-GS Ø1.9 WD 9-11mm	15	68013055	Healing Abutment EV (M) 6mm	6
26062	1-Drill EV-GS Ø1.9 WD 13-15mm	15	68013048	Healing Abutment EV (S) 2mm	6
26022	1-Sleeve Ø1.9 Ø ND	18	68013049	Healing Abutment EV (S) 3mm	6
26027	1-Sleeve Ø1.9 Ø WD	18	68013050	Healing Abutment EV (S) 4mm	6
68010006	Cover Screw EV (L)	6	68013051	Healing Abutment EV (S) 6mm	6
68010005	Cover Screw EV (M)	6	68013044	Healing Abutment EV (XS) 2mm	6
68010002	Cover Screw EV (S)	6	68013045	Healing Abutment EV (XS) 3mm	6
68010001	Cover Screw EV (XS)	6	68013046	Healing Abutment EV (XS) 4mm	6
68015331	Drill 1 Ø1.9 long	8	68013047	Healing Abutment EV (XS) 6mm	6
68015324	Drill 1 Ø1.9 short	8	68015207	Hex Driver 20mm	14
26050	Drill for Guide fixation screw	19	25771	Hex Driver 20mm manual	14
26034	EV-Stabilization Abutment, 6-9-13mm, Ø3.6	19	68015205	Hex Driver 24mm	14
26036	EV-Stabilization Abutment, 6-9-13mm, Ø4.2	19	25772	Hex Driver 31mm manual	14
26038	EV-Stabilization Abutment, 6-9-13mm, Ø4.8	19	68015206	Hex Driver 35mm	14
26033	EV-Stabilization Abutment, 8-11-15mm, Ø3.6	19	68015193	Implant Driver EV (L) long	13
26035	EV-Stabilization Abutment, 8-11-15mm, Ø4.2	19	68015192	Implant Driver EV (L) short	13
26037	EV-Stabilization Abutment, 8-11-15mm, Ø4.8	19	68015191	Implant Driver EV (M) long	13
68015133	Guide Drill	8	68015190	Implant Driver EV (M) short	13
26049	Guide Fixation Screw	19	68015189	Implant Driver EV (S) long	13
68013023	HealDesign EV (L) Ø5 2.5mm	7	68015188	Implant Driver EV (S) short	13
68013024	HealDesign EV (L) Ø5 3.5mm	7	68015187	Implant Driver EV (XS) long	13
68013042	HealDesign EV (L) Ø5 3.5mm Triangular	7	68017003	Implant Driver EV GS (L)	18
68013025	HealDesign EV (L) Ø5 4.5mm	7	68017002	Implant Driver EV GS (M)	18
68013026	HealDesign EV (L) Ø5 6.5mm	7	68017001	Implant Driver EV GS (S)	18
68013027	HealDesign EV (L) Ø6.5 2.5mm	7	26013	Initial Drill EV-GS Ø3.6	15
68013028	HealDesign EV (L) Ø6.5 3.5mm	7	26014	Initial Drill EV-GS Ø4.2	15
68013043	HealDesign EV (L) Ø6.5 3.5mm Triangular	7	26015	Initial Drill EV-GS Ø4.8	15
68013029	HealDesign EV (L) Ø6.5 4.5mm	7	68015197	Instrument Extender	13
68013030	HealDesign EV (L) Ø6.5 6.5mm	7	25711	Mucosal Punch Ø3.5	14
68013031	HealDesign EV (L) Ø7.5 3.5mm	7	25712	Mucosal Punch Ø4.0	14
68013032	HealDesign EV (L) Ø7.5 4.5mm	7	25713	Mucosal Punch Ø4.5	14
68013015	HealDesign EV (M) Ø5 2.5mm	7	25714	Mucosal Punch Ø5.0	14
68013016	HealDesign EV (M) Ø5 3.5mm	7	25715	Mucosal Punch Ø5.5	14
68013040	HealDesign EV (M) Ø5 3.5mm Triangular	7	25731	Mucosal Punch Ø6.5	14
68013017	HealDesign EV (M) Ø5 4.5mm	7	68015134	Precision Drill	8
68013018	HealDesign EV (M) Ø5 6.5mm	7	68015198	PrimeTaper/Astra Tech Implant Depth Gauge	13
68013019	HealDesign EV (M) Ø6.5 2.5mm	7	68015352	PrimeTaper Direction Indicator	13
68013020	HealDesign EV (M) Ø6.5 3.5mm	7	68017229	PrimeTaper Drill 2 Ø2.35 6.5-8mm GS	16
68013041	HealDesign EV (M) Ø6.5 3.5mm Triangular	7	68017230	PrimeTaper Drill 2 Ø2.35 9-11mm GS	16
68013021	HealDesign EV (M) Ø6.5 4.5mm	7	68017231	PrimeTaper Drill 2 Ø2.35 13-15mm GS	16
68013022	HealDesign EV (M) Ø6.5 6.5mm	7	68015332	PrimeTaper Drill 2 Ø2.35 long	8
68013005	HealDesign EV (S) Ø4 2.5mm	7	68015325	PrimeTaper Drill 2 Ø2.35 short	8
68013006	HealDesign EV (S) Ø4 3.5mm	7	68017242	PrimeTaper Drill 2½ Ø2.65 6.5-8mm GS	17
68013007	HealDesign EV (S) Ø4 4.5mm	7	68017243	PrimeTaper Drill 2½ Ø2.65 9-11mm GS	17
68013008	HealDesign EV (S) Ø4 6.5mm	7	68017244	PrimeTaper Drill 2½ Ø2.65 13-15mm GS	17
68013009	HealDesign EV (S) Ø5 2.5mm	7	68015342	PrimeTaper Drill 2½ Ø2.65 long	9
68013010	HealDesign EV (S) Ø5 3.5mm	7	68015337	PrimeTaper Drill 2½ Ø2.65 short	9
68013039	HealDesign EV (S) Ø5 3.5mm Triangular	7	68017232	PrimeTaper Drill 3 Ø2.95 6.5-8mm GS	16
68013011	HealDesign EV (S) Ø5 4.5mm	7	68017233	PrimeTaper Drill 3 Ø2.95 9-11mm GS	16
68013012	HealDesign EV (S) Ø5 6.5mm	7	68017234	PrimeTaper Drill 3 Ø2.95 13-15mm GS	16
68013013	HealDesign EV (S) Ø6 3.5mm	7	68015333	PrimeTaper Drill 3 Ø2.95 long	8
68013014	HealDesign EV (S) Ø6 4.5mm	7	68015326	PrimeTaper Drill 3 Ø2.95 short	8
68013001	HealDesign EV (XS) Ø3.5 2.5mm	7	68017245	PrimeTaper Drill 3½ Ø3.25 6.5-8mm GS	17
68013002	HealDesign EV (XS) Ø3.5 3.5mm	7	68017246	PrimeTaper Drill 3½ Ø3.25 9-11mm GS	17
68013003	HealDesign EV (XS) Ø3.5 4.5mm	7	68017247	PrimeTaper Drill 3½ Ø3.25 13-15mm GS	17
68013004	HealDesign EV (XS) Ø3.5 6.5mm	7	68015343	PrimeTaper Drill 3½ Ø3.25 long	9
68013056	Healing Abutment EV (L) 2mm	6	68015338	PrimeTaper Drill 3½ Ø3.25 short	9
68013057	Healing Abutment EV (L) 3mm	6	68017235	PrimeTaper Drill 4 Ø3.55 6.5-8mm GS	16
68013058	Healing Abutment EV (L) 4mm	6	68017236	PrimeTaper Drill 4 Ø3.55 9-11mm GS	16

Order No.		page
68017237	PrimeTaper Drill 4 Ø3.55 13-15mm GS	16
68015334	PrimeTaper Drill 4 Ø3.55 long	8
68015327	PrimeTaper Drill 4 Ø3.55 short	8
68017248	PrimeTaper Drill 4½ Ø3.85 6.5-8mm GS	17
68017249	PrimeTaper Drill 4½ Ø3.85 9-11mm GS	17
68017250	PrimeTaper Drill 4½ Ø3.85 13-15mm GS	17
68015344	PrimeTaper Drill 4½ Ø3.85 long	9
68015339	PrimeTaper Drill 4½ Ø3.85 short	9
68017238	PrimeTaper Drill 5 Ø4.15 6.5-8mm GS	16
68017239	PrimeTaper Drill 5 Ø4.15 9-11mm GS	16
68017240	PrimeTaper Drill 5 Ø4.15 13-15mm GS	16
68015335	PrimeTaper Drill 5 Ø4.15 long	8
68015328	PrimeTaper Drill 5 Ø4.15 short	8
68017251	PrimeTaper Drill 5½ Ø4.45 6.5-8mm GS	17
68017252	PrimeTaper Drill 5½ Ø4.45 9-11mm GS	17
68017253	PrimeTaper Drill 5½ Ø4.45 13-15mm GS	17
68015345	PrimeTaper Drill 5½ Ø4.45 long	9
68015340	PrimeTaper Drill 5½ Ø4.45 short	9
68017241	PrimeTaper Drill 6 Ø4.75 6.5-8mm GS	16
68015336	PrimeTaper Drill 6 Ø4.75 long	8
68015329	PrimeTaper Drill 6 Ø4.75 short	8
68015346	PrimeTaper Drill 6½ Ø5.05 long	9
68015341	PrimeTaper Drill 6½ Ø5.05 short	9
68015330	PrimeTaper Drill 7 Ø5.35 short	8
68011085	PrimeTaper EV Ø3.0 x 8mm	5
68011086	PrimeTaper EV Ø3.0 x 9mm	5
68011087	PrimeTaper EV Ø3.0 x 11mm	5
68011088	PrimeTaper EV Ø3.0 x 13mm	5
68011089	PrimeTaper EV Ø3.0 x 15mm	5
68011090	PrimeTaper EV Ø3.6 x 8mm	5
68011091	PrimeTaper EV Ø3.6 x 9mm	5
68011092	PrimeTaper EV Ø3.6 x 11mm	5
68011093	PrimeTaper EV Ø3.6 x 13mm	5
68011094	PrimeTaper EV Ø3.6 x 15mm	5
68011095	PrimeTaper EV Ø3.6 x 17mm	5
68011096	PrimeTaper EV Ø4.2 x 6.5mm	5
68011097	PrimeTaper EV Ø4.2 x 8mm	5
68011098	PrimeTaper EV Ø4.2 x 9mm	5
68011099	PrimeTaper EV Ø4.2 x 11mm	5
68011100	PrimeTaper EV Ø4.2 x 13mm	5
68011101	PrimeTaper EV Ø4.2 x 15mm	5
68011102	PrimeTaper EV Ø4.2 x 17mm	5
68011103	PrimeTaper EV Ø4.8 x 6.5mm	5

Order No.		page
68011104	PrimeTaper EV Ø4.8 x 8mm	5
68011105	PrimeTaper EV Ø4.8 x 9mm	5
68011106	PrimeTaper EV Ø4.8 x 11mm	5
68011107	PrimeTaper EV Ø4.8 x 13mm	5
68011108	PrimeTaper EV Ø4.8 x 15mm	5
68011109	PrimeTaper EV Ø4.8 x 17mm	5
68011110	PrimeTaper EV Ø5.4 x 6.5mm	5
68011111	PrimeTaper EV Ø5.4 x 8mm	5
68011112	PrimeTaper EV Ø5.4 x 9mm	5
68011113	PrimeTaper EV Ø5.4 x 11mm	5
68011114	PrimeTaper EV Ø5.4 x 13mm	5
68011115	PrimeTaper EV Ø5.4 x 15mm	5
68015322	PrimeTaper Radiographic Template	14
68017254	PrimeTaper Sleeve 2 Ø ND GS	18
68017262	PrimeTaper Sleeve 2½ Ø ND GS	18
68017255	PrimeTaper Sleeve 3 Ø ND GS	18
68017256	PrimeTaper Sleeve 3 Ø WD GS	18
68017263	PrimeTaper Sleeve 3½ Ø ND GS	18
68017257	PrimeTaper Sleeve 4 Ø ND GS	18
68017258	PrimeTaper Sleeve 4 Ø WD GS	18
68017264	PrimeTaper Sleeve 4½ Ø ND GS	18
68017265	PrimeTaper Sleeve 4½ Ø WD GS	18
68017259	PrimeTaper Sleeve 5 Ø ND GS	18
68017260	PrimeTaper Sleeve 5 Ø WD GS	18
68017266	PrimeTaper Sleeve 5½ Ø WD GS	18
68017261	PrimeTaper Sleeve 6 Ø WD GS	18
68015321	PrimeTaper Surgical Tray	10
68017268	PrimeTaper Surgical Tray GS	19
68015347	PrimeTaper Tap Ø3.0	9
68015348	PrimeTaper Tap Ø3.6	9
68015349	PrimeTaper Tap Ø4.2	9
68015350	PrimeTaper Tap Ø4.8	9
68015351	PrimeTaper Tap Ø5.4	9
68017226	PrimeTaper Tap GS Ø3.6 ND	17
68017227	PrimeTaper Tap GS Ø4.2 ND	17
68017228	PrimeTaper Tap GS Ø4.8 WD	17
68015323	PrimeTaper Washtray	12
68015353	PrimeTaper Washtray Overlay	12
26010	Punch EV-GS Ø3.6	15
26011	Punch EV-GS Ø4.2	15
26012	Punch EV-GS Ø4.8	15
25774	Torque Wrench EV	14
25775	Torque Wrench EV Surgical Driver Handle	14

THE DENTAL
SOLUTIONS
COMPANY™

