



ΦΛΩΡΟΣ DENTAL^{plus}

TIP BOOK



CATALOG

Scaling

G1



Order Code: 6680523

1

G1-S



Order Code: 6680617

G2



Order Code: 6680524

2

G2-S



Order Code: 6680618

G4



Order Code: 6680526

3

G4-S



Order Code: 6680619

3

G5



Order Code: 6680527

4

G5-S



Order Code: 6680620

Periodontic

P1



Order Code: 6680528

P1-S



Order Code: 6680621

P3



Order Code: 6680529

P3-S



Order Code: 6680622

P4



Order Code: 6680530

5

6

7

P4-S



Order Code: 6680623

P52



Order Code: 6680533

P52-S



Order Code: 6680626

P50L



Order Code: 6680531

P50L-S



Order Code: 6680624

7

8

9

P50R

Order Code: 6680532



P50R-S

Order Code: 6680625



10

P53L

Order Code: 6680534



P53L-S

Order Code: 6680627



11

P53R

Order Code: 6680535



12

P53R-S

Order Code: 6680628



12

P59

Order Code: 6680536



P59-S

Order Code: 6680630



13

P56

Order Code: 6680544



P56-S

Order Code: 6680629



14

P3D

Order Code: 6680654



P3-SD

Order Code: 6680636



15

P4D

Order Code: 6680631



P4-SD

Order Code: 6680637



16

Endodontic

E1

Order Code: 6680537



E1-S

Order Code: 6680656



17

E3

Order Code: 6680538



E3-S

Order Code: 6680657



18

E4

Order Code: 6680539



19

E4-S

Order Code: 6680658



19

E5

Order Code: 6680540



20

E5-S

Order Code: 6680659



E7

Order Code: 6680542



21

E7-S

Order Code: 6680660



E8

Order Code: 6680608



22

E8-S

Order Code: 6680614



E9

Order Code: 6680609



23

E9-S

Order Code: 6680615



E10

Order Code: 6680610



24

E10-S

Order Code: 6680616



24

E3D

Order Code: 6680651



25

E3-SD

Order Code: 6680638



E30

Order Code: 6680611



26

E30-S

Order Code: 6680661



E31

Order Code: 6680612



27

E31-S

Order Code: 6680662



E4D

Order Code: 6680652



28

E4-SD

Order Code: 6680639



E5D

Order Code: 6680653



29

E5-SD

Order Code: 6680640



29

E6D

Order Code: 6680632



30

E6-SD

Order Code: 6680641



E7D

Order Code: 6680633



31

E7-SD

Order Code: 6680642



E8D

Order Code: 6680634



32

E8-SD

Order Code: 6680643



TC1D

Order Code: 6680648



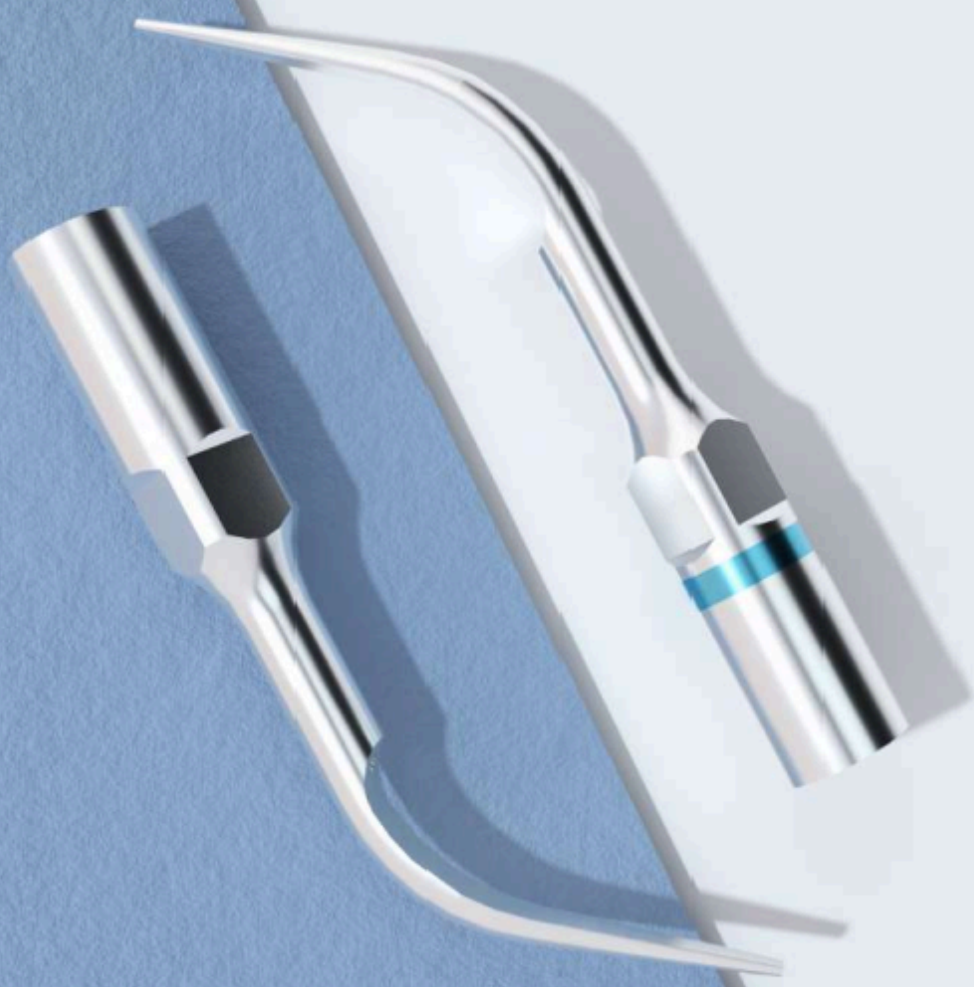
33

TC1-SD

Order Code: 6680650







SCALING

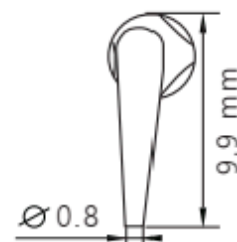
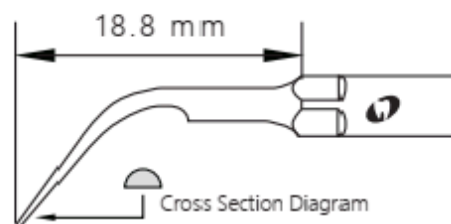
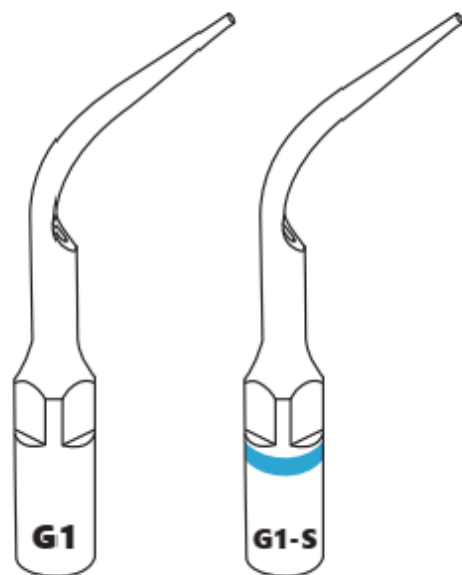
EMS® G1

Order Code 6680523

Satelec® G1-S

Order Code 6680617

Function Description: All-round removal of supragingival calculus



Mode: G
Power: 1-10



Recommended
Service Life
200 Teeth



Water Flow Rate
mid&high

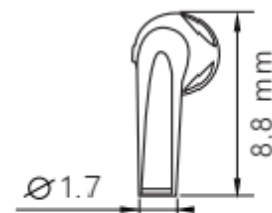
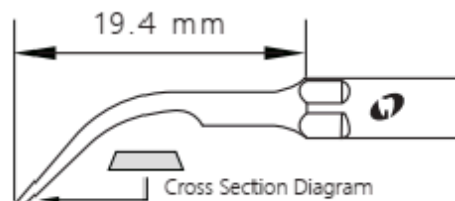
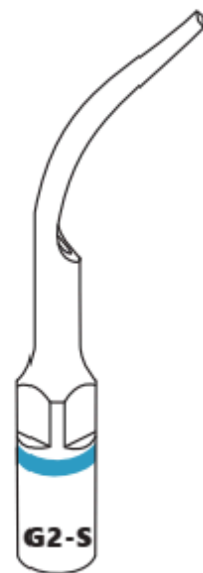
EMS® G2

Satelec® G2-S

Order Code 6680524

Order Code 6680618

Function Description: Removal of significant supragingival calculus



Mode: G
Power: 1-10



Recommended
Service Life
200 Teeth



Water Flow Rate
mid&high

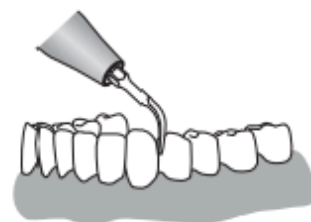
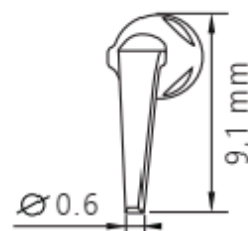
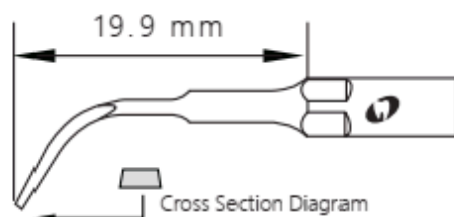
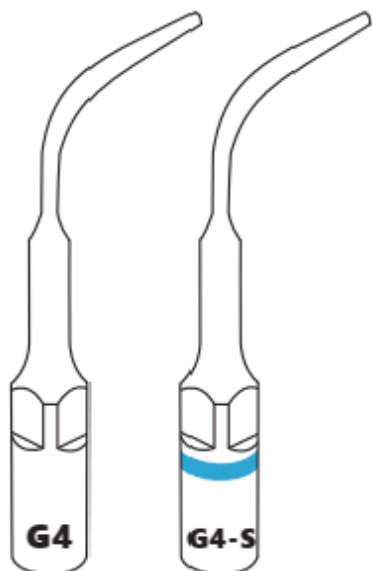
EMS[®] G4

Order Code 6680526

Satelec[®] G4-S

Order Code 6680619

Function Description: Used for supragingival and interdental space scaling



Mode: G
Power: 1-10



Recommended
Service Life
200 Teeth



Water Flow Rate
mid&high

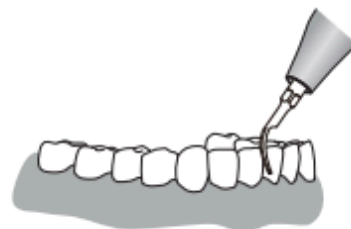
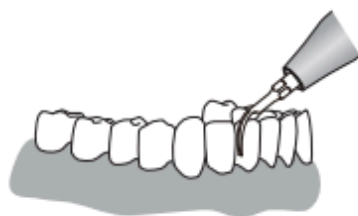
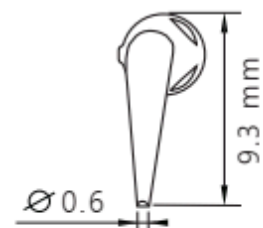
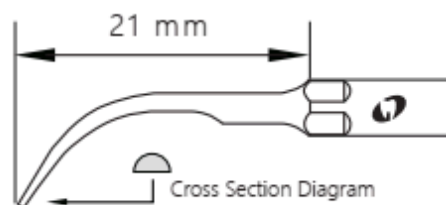
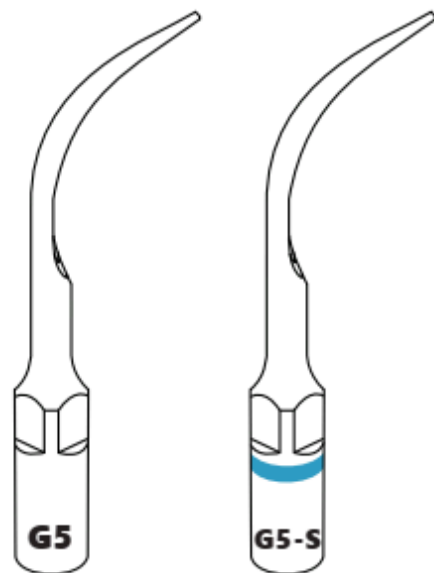
EMS® G5

Satelec® G5-S

Order Code 6680527

Order Code 6680620

Function Description: Removal of significant supragingival calculus



Mode: G
Power: 1-10



Recommended
Service Life
200 Teeth



Water Flow Rate
mid&high

PERIODONTIC



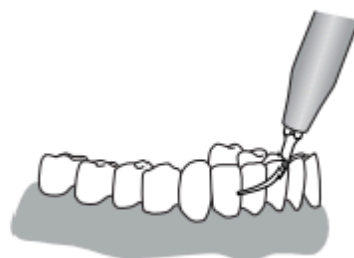
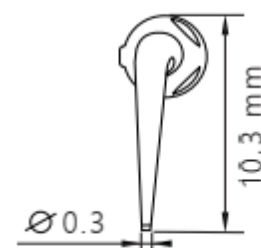
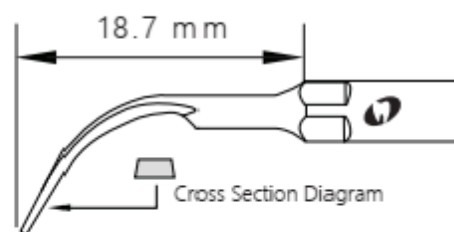
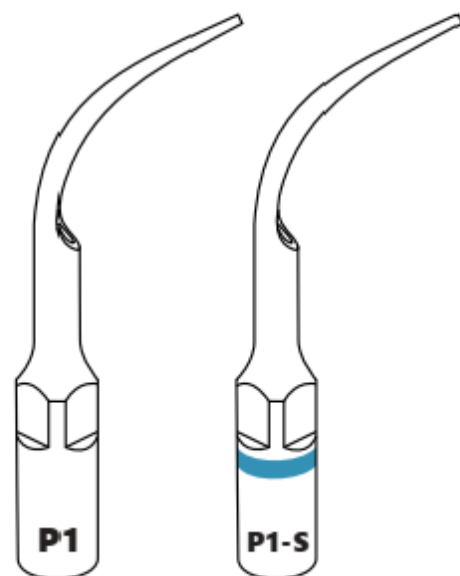
EMS® P1

Satelec® P1-S

Order Code 6680528

Order Code 6680621

Function Description: Removal of subgingival calculus and periodontal irrigation



Mode: P
Power: 1-10



Recommended
Service Life
150 Teeth



Water Flow Rate
mid&high

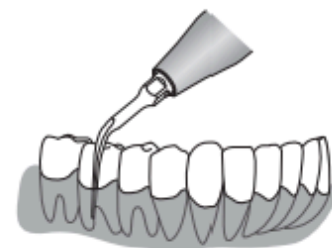
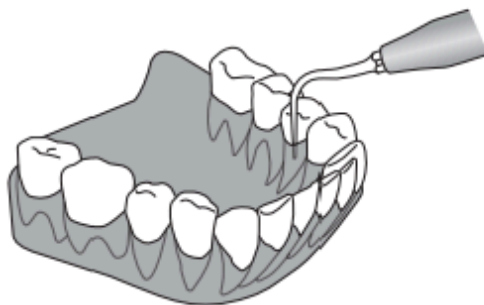
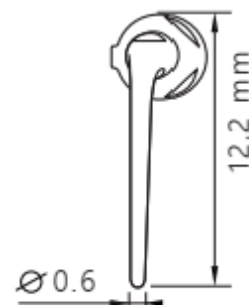
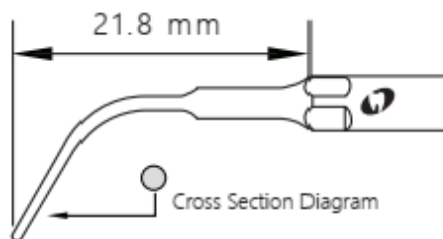
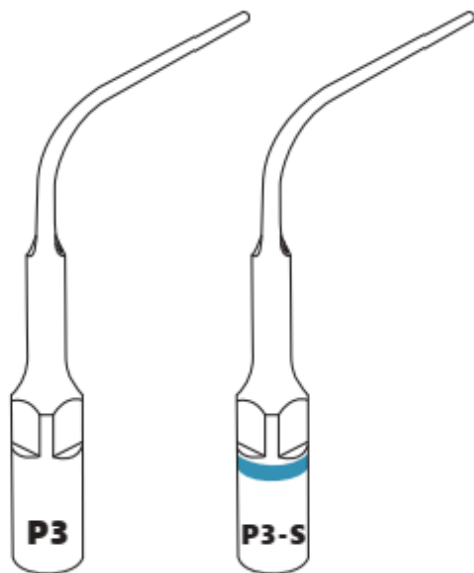
EMS[®] P3

Satelec[®] P3-S

Order Code 6680529

Order Code 6680622

Function Description: Removal of calculus deep in periodontal pocket and its irrigation



Mode: P
Power: 1-6



Recommended
Service Life
150 Teeth



Water Flow Rate
mid&high

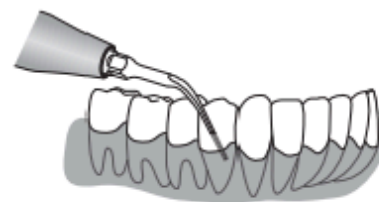
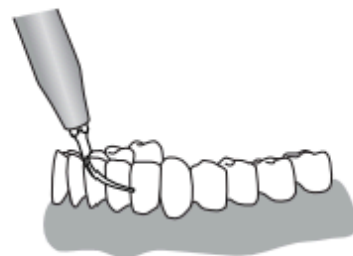
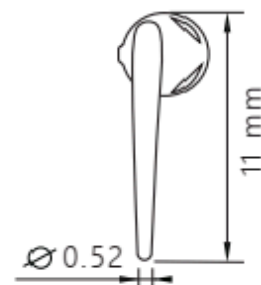
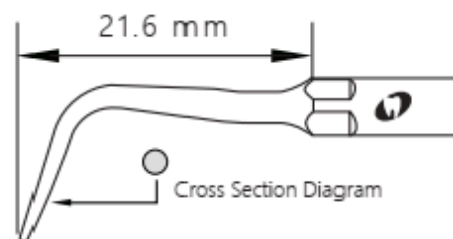
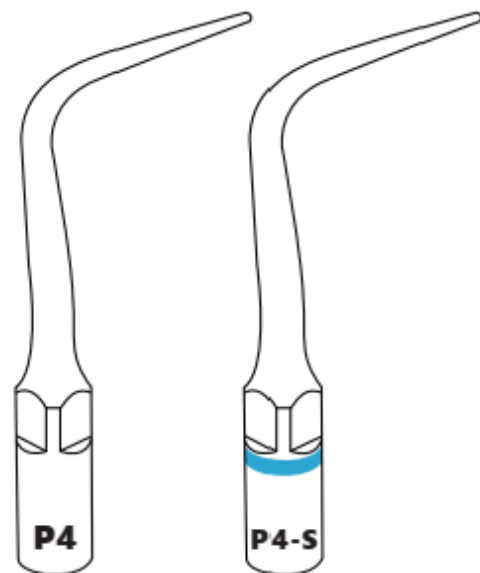
EMS[®] P4

Satelec[®] P4-S

Order Code 6680530

Order Code 6680623

Function Description: Removal of calculus in shallow pockets



Mode: P
Power: 1-6



Recommended
Service Life
200 Teeth



Water Flow Rate
mid&high

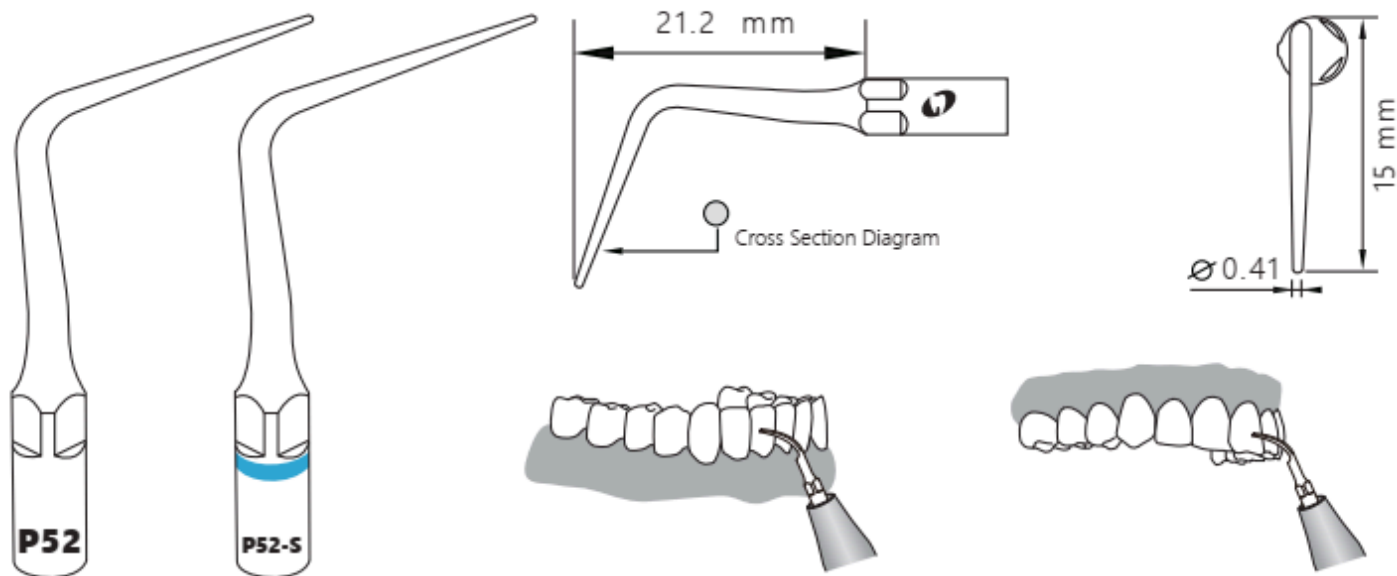
EMS® P52

Order Code 6680533

Satelec® P52-S

Order Code 6680626

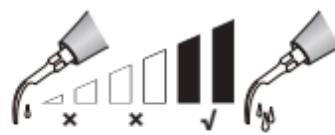
Function Description: Supragingival scaling



Mode: P
Power: 1-10



Recommended
Service Life
80 Teeth



Water Flow Rate
high

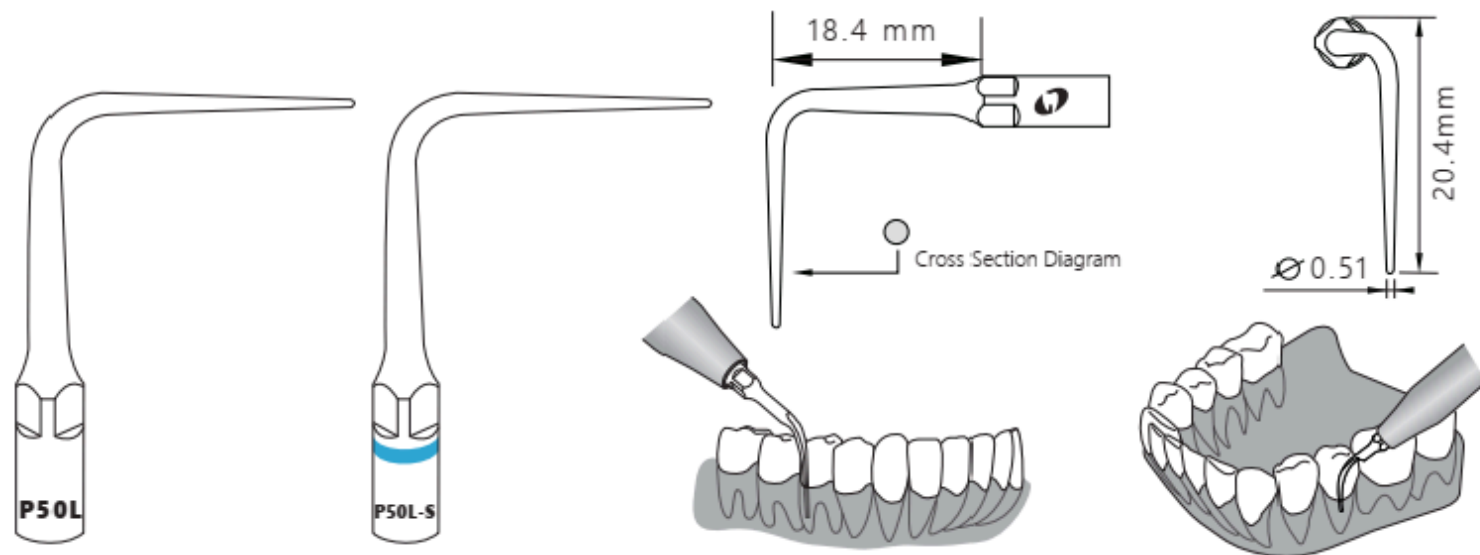
EMS[®] P50L

Order Code **6680531**

Satelec[®] P50L-S

Order Code **6680624**

Function Description: Used for subgingival calculus probing, subgingival proximal surface scaling and root planing



Mode: P
Power: 1-10



Recommended
Service Life
80 Teeth



Water Flow Rate
high

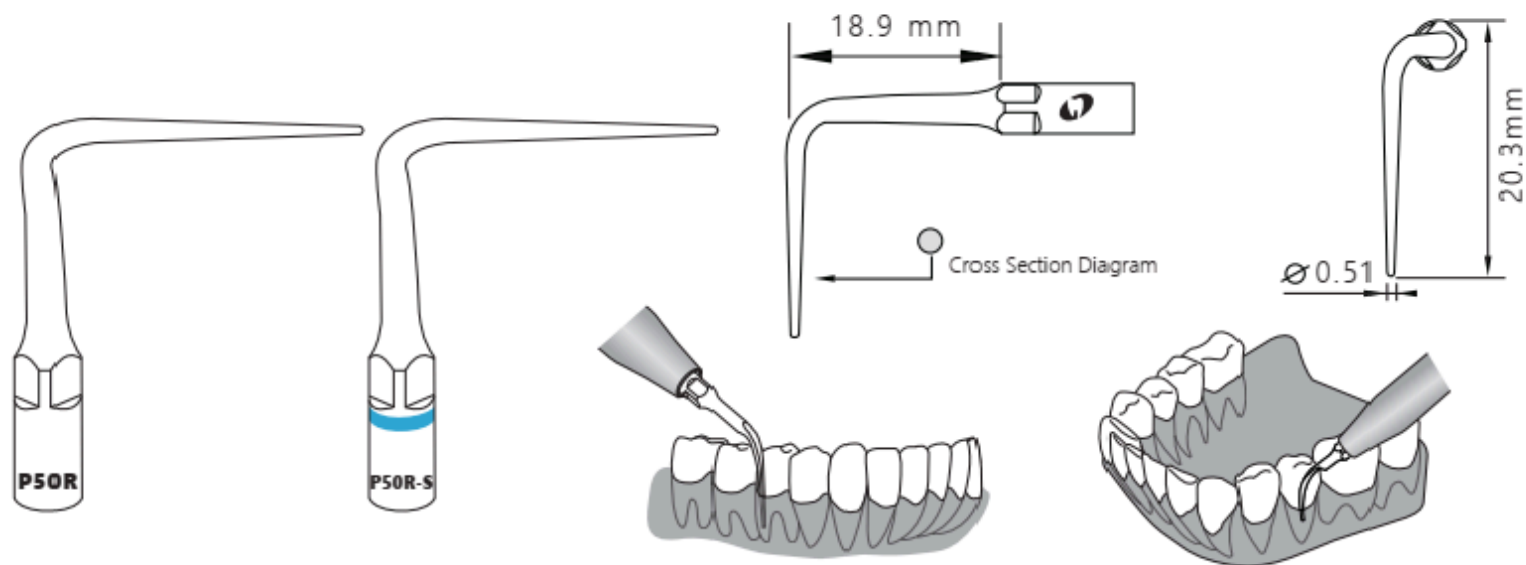
EMS[®] P50R

Order Code **6680532**

Satelec[®] P50R-S

Order Code **6680625**

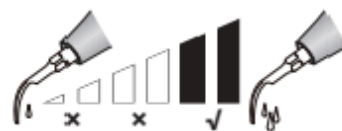
Function Description: Used for subgingival calculus probing , subgingival proximal surface scaling and root planing



Mode: P
Power: 1-10



Recommended
Service Life
80 Teeth



Water Flow Rate
high

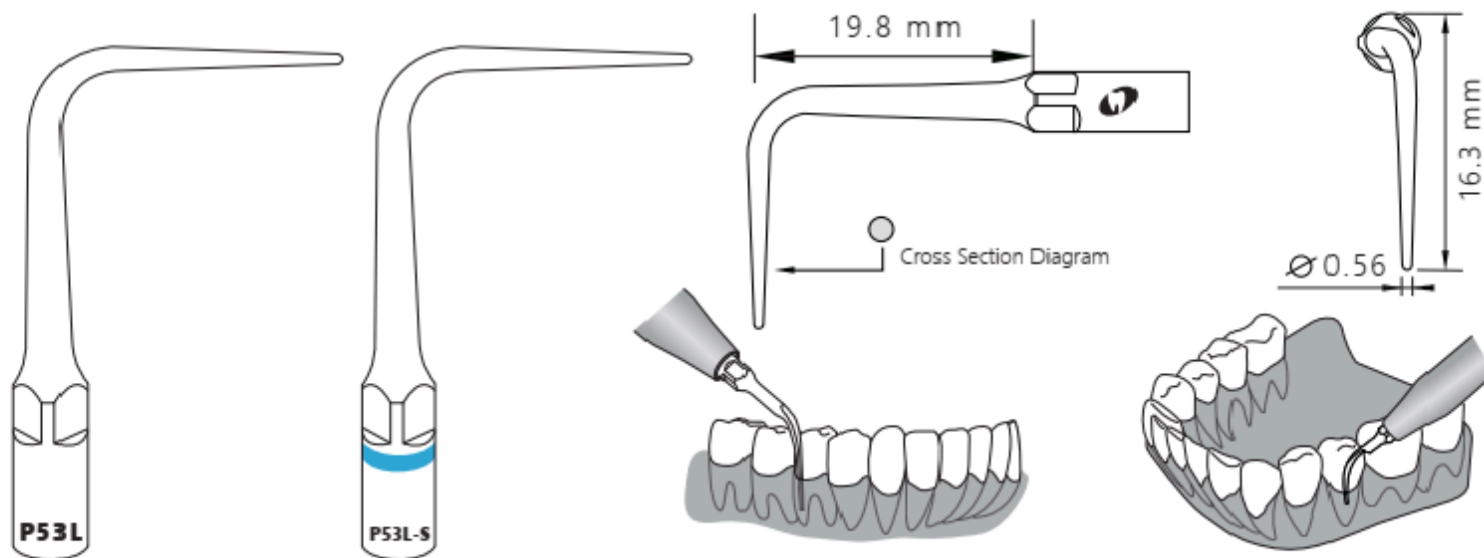
EMS[®] P53L

Satelec[®] P53L-S

Order Code 6680534

Order Code 6680627

Function Description: Used for subgingival calculus probing, subgingival proximal surface scaling and root planing



Mode: P
Power: 1-10



Recommended
Service Life
80 Teeth



Water Flow Rate
mid&high

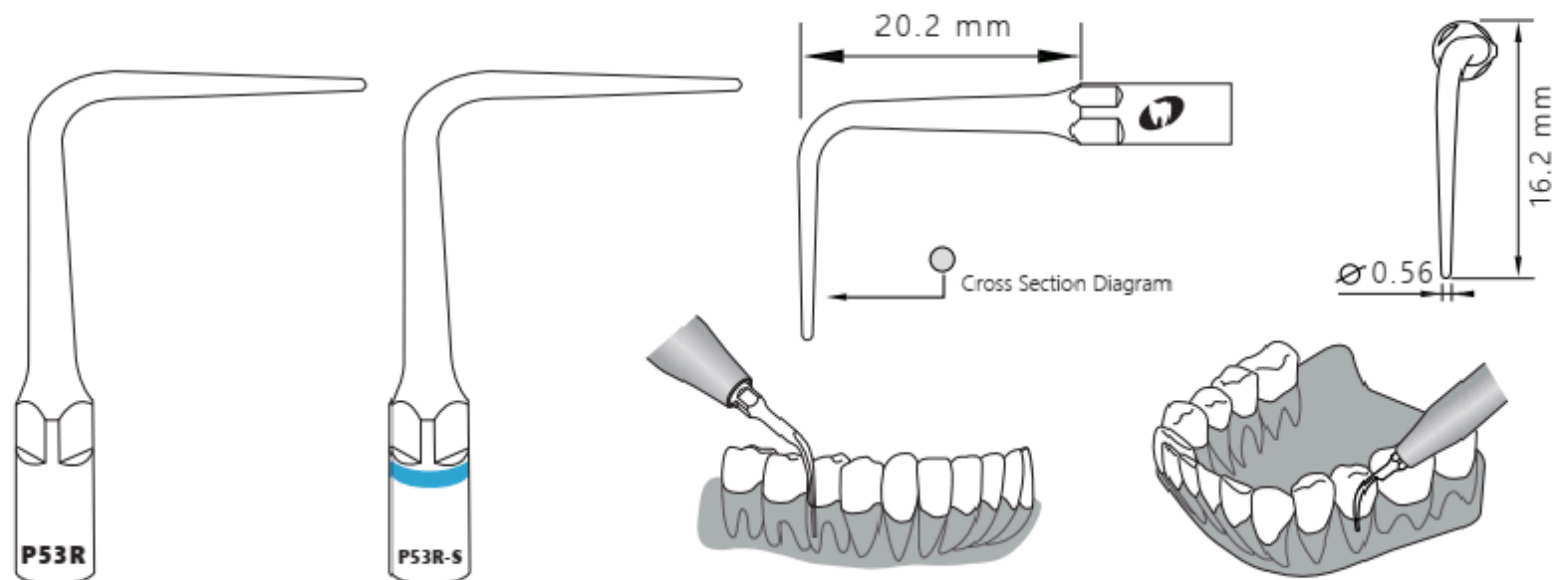
EMS[®] P53R

Order Code **6680535**

Satelec[®] P53R-S

Order Code **6680628**

Function Description: Used for subgingival calculus probing, subgingival proximal surface scaling and root planing



Mode: P
Power: 1-10



Recommended
Service Life
80 Teeth



Water Flow Rate
mid&high

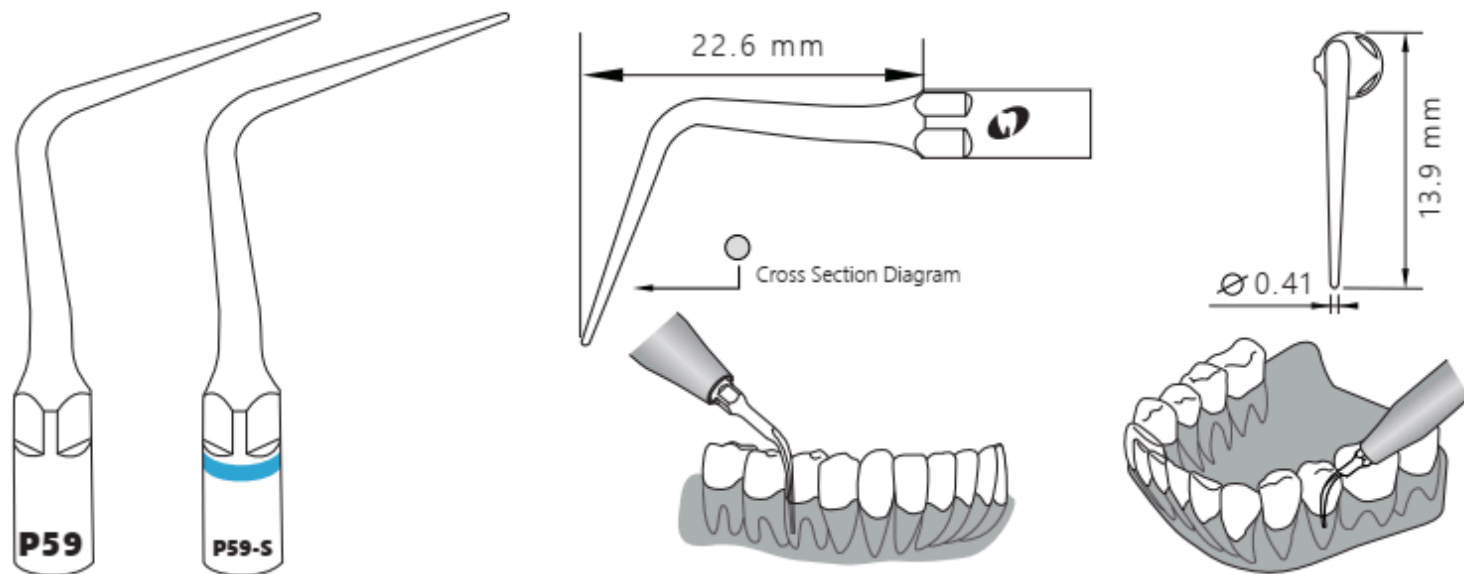
EMS® P59

Satelec® P59-S

Order Code 6680536

Order Code 6680630

Function Description: Used for subgingival calculus probing and scaling



Mode: P
Power: 1-6



Recommended
Service Life
80 Teeth



Water Flow Rate
high

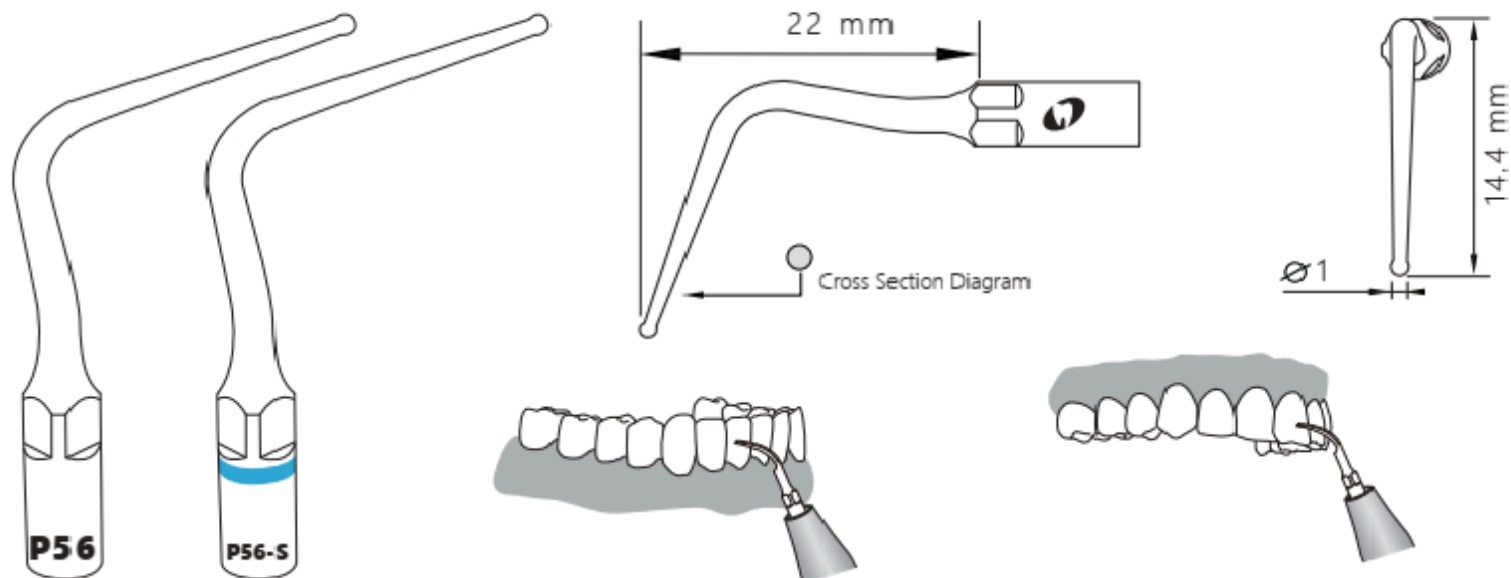
EMS® P56

Order Code **6680544**

Satelec® P56-S

Order Code **6680629**

Function Description: Removal of significant supragingival calculus and plaque



Mode: P
Power: 1-10



Recommended
Service Life
80 Teeth



Water Flow Rate
high

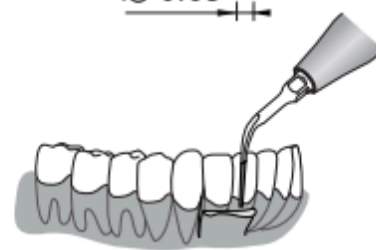
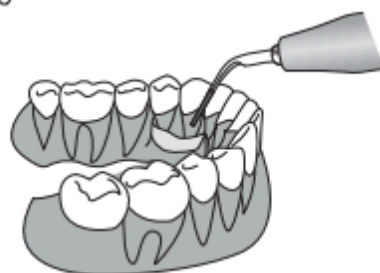
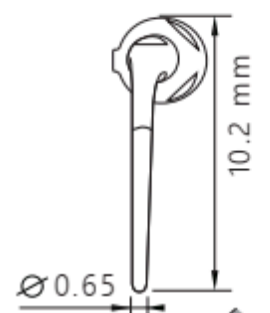
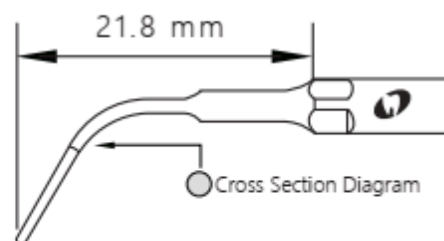
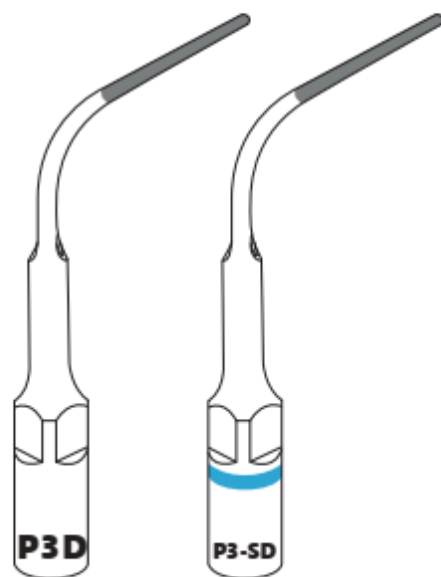
EMS[®] P3D

Satelec[®] P3-SD

Order Code 6680654

Order Code 6680636

Function Description: Used to level off the surface of endo after the periodontal flap surgery



Mode: P
Power: 1-6



Recommended
Service Life
50 Teeth



Water Flow Rate
mid&high

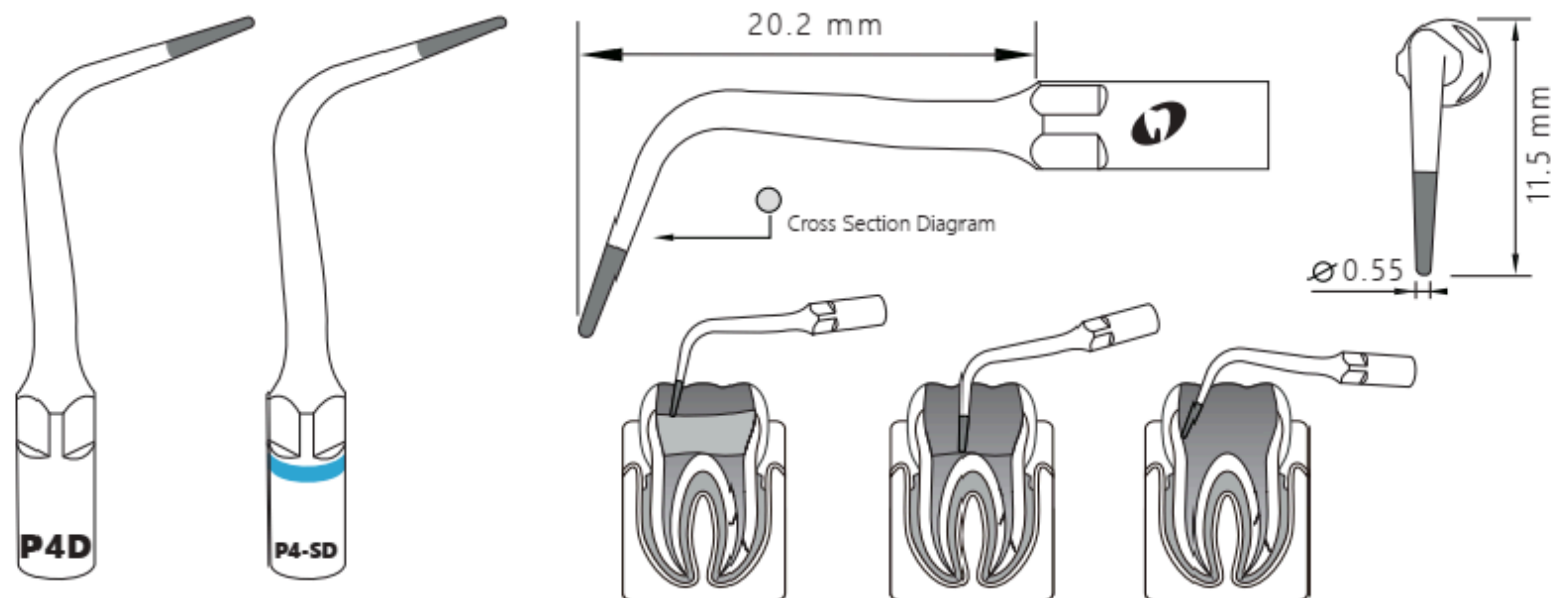
EMS[®] P4D

Order Code 6680631

Satelec[®] P4-SD

Order Code 6680637

Function Description: For locating root canal and removal of calcification on the one-third of crown



Mode: P
Power: 1-6



Recommended
Service Life
50 Teeth



Water Flow Rate
low, mid & high

The image features two curved endodontic instruments, likely irrigation catheters, positioned against a background split into blue and white. The instrument on the left is set against a blue background and has a blue band near its base. The instrument on the right is set against a white background. Both instruments have a curved tip and a hexagonal handle section. The word 'ENDODONTIC' is printed in blue, uppercase letters on the white background to the right of the instruments.

ENDODONTIC

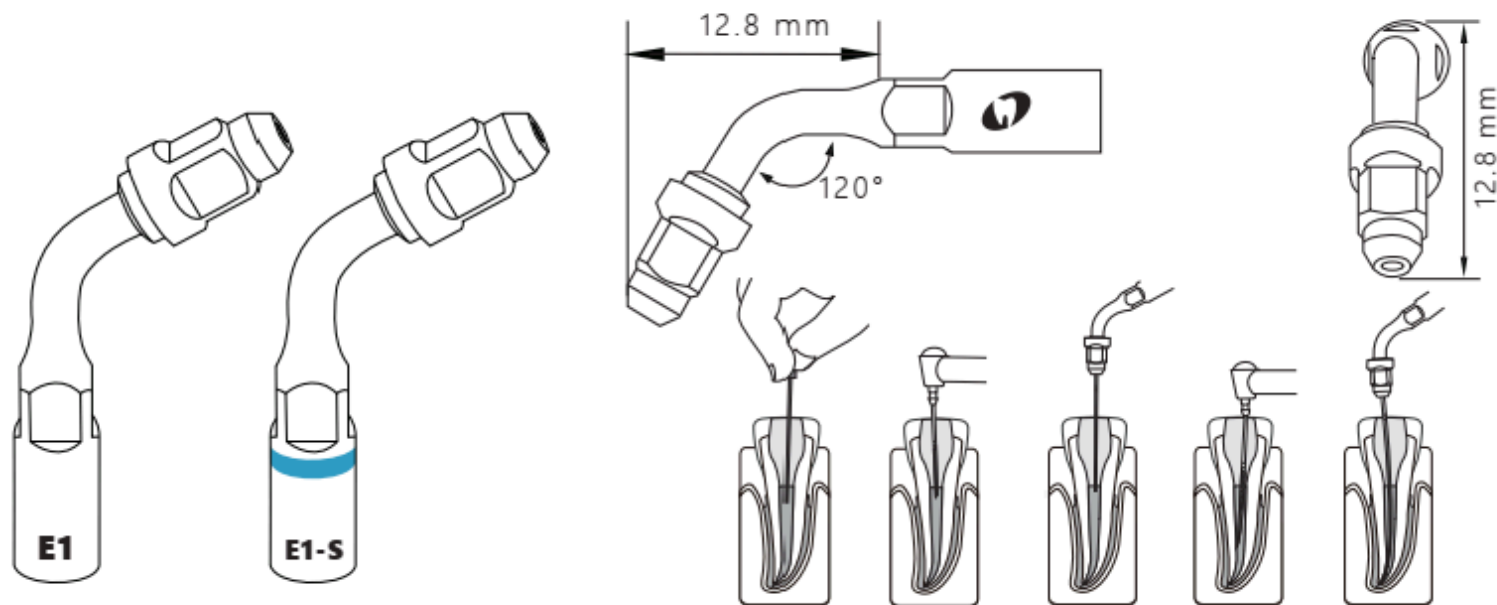
EMS° E1

Satelec° E1-S

Order Code 6680537

Order Code 6680656

Function Description: 120° angle holder for 0.7mm-0.8mm endo file for root canal cleaning



Mode: E
Power: 1-3



Recommended
Service Life
500 times



Water Flow Rate
mid&high

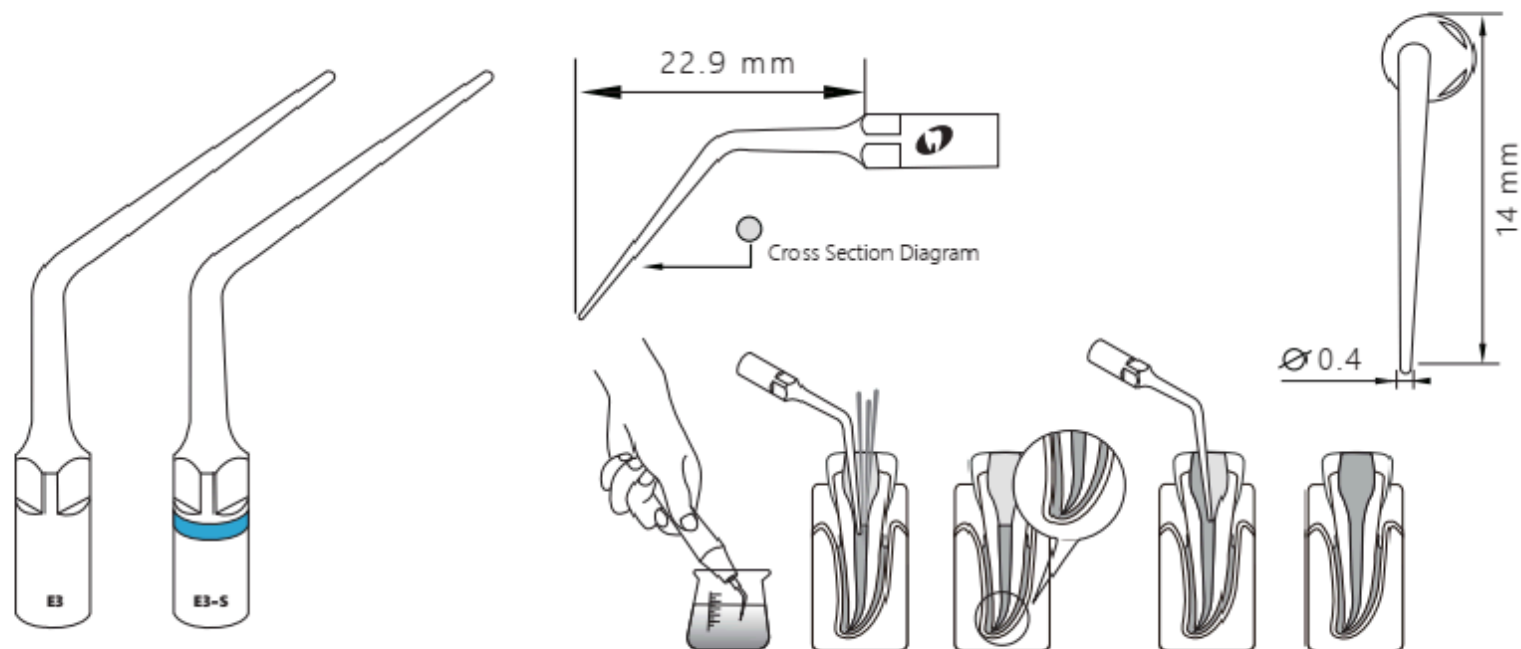
EMS[®] E3

Satelec[®] E3-S

Order Code 6680538

Order Code 6680657

Function Description: For lateral condensation of gutta percha by heating effect



Mode: E
Power: 1-3



Recommended
Service Life
500 root canals



Water Flow Rate
No water

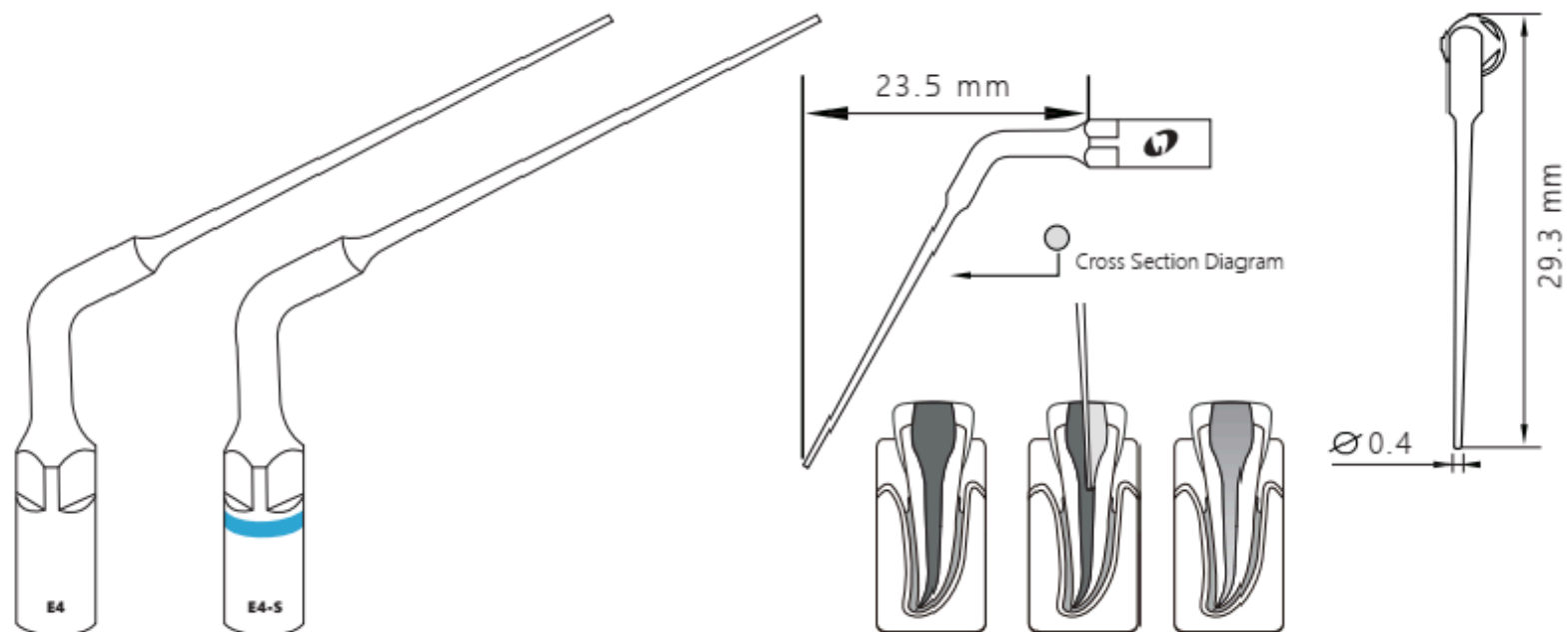
EMS[®] E4

Order Code 6680539

Satelec[®] E4-S

Order Code 6680658

Function Description: Removal of foreign filling material during re-treatment



Mode: E
Power: 1-6



Recommended
Service Life
100 root canals



Water Flow Rate
No water

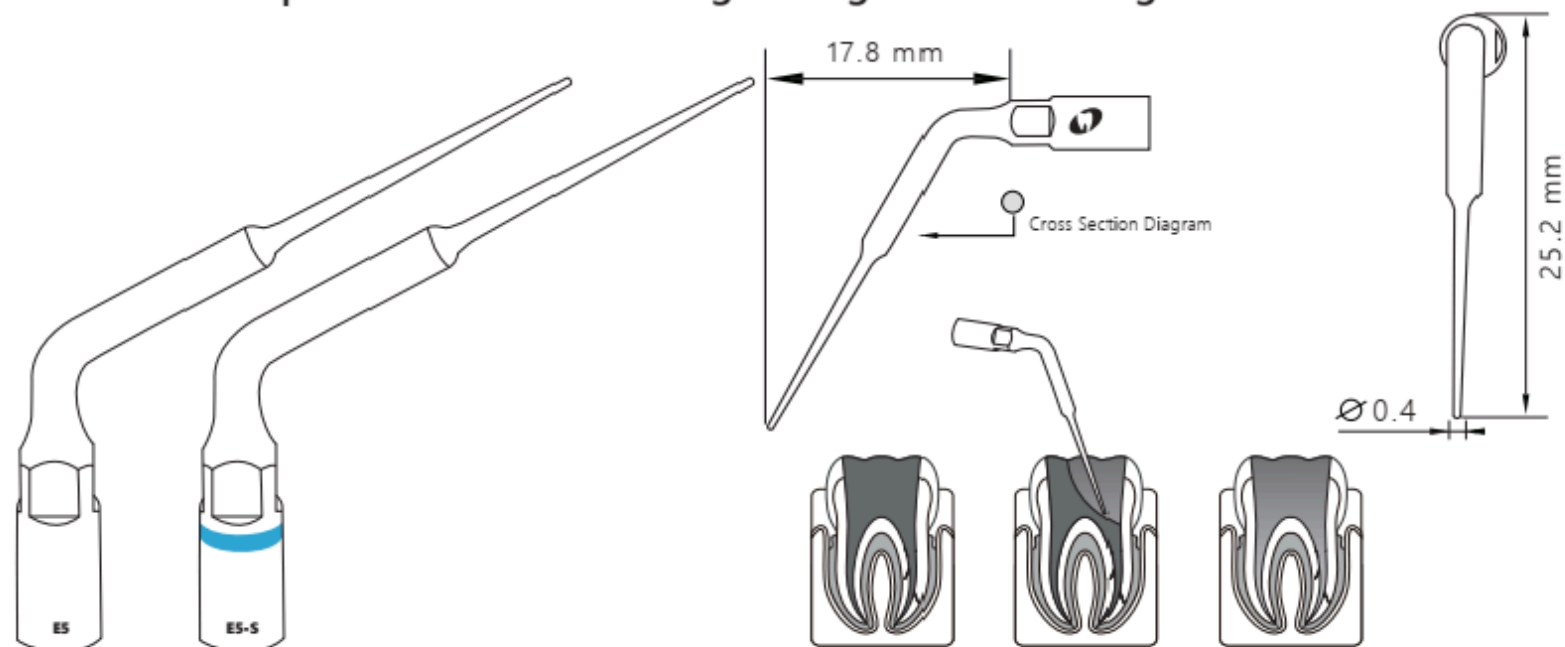
EMS[®] E5

Satelec[®] E5-S

Order Code 6680540

Order Code 6680659

Function Description: Removal of foreign filling material during re-treatment



Mode: E
Power: 1-6



Recommended
Service Life
100 root canals



Water Flow Rate
No water

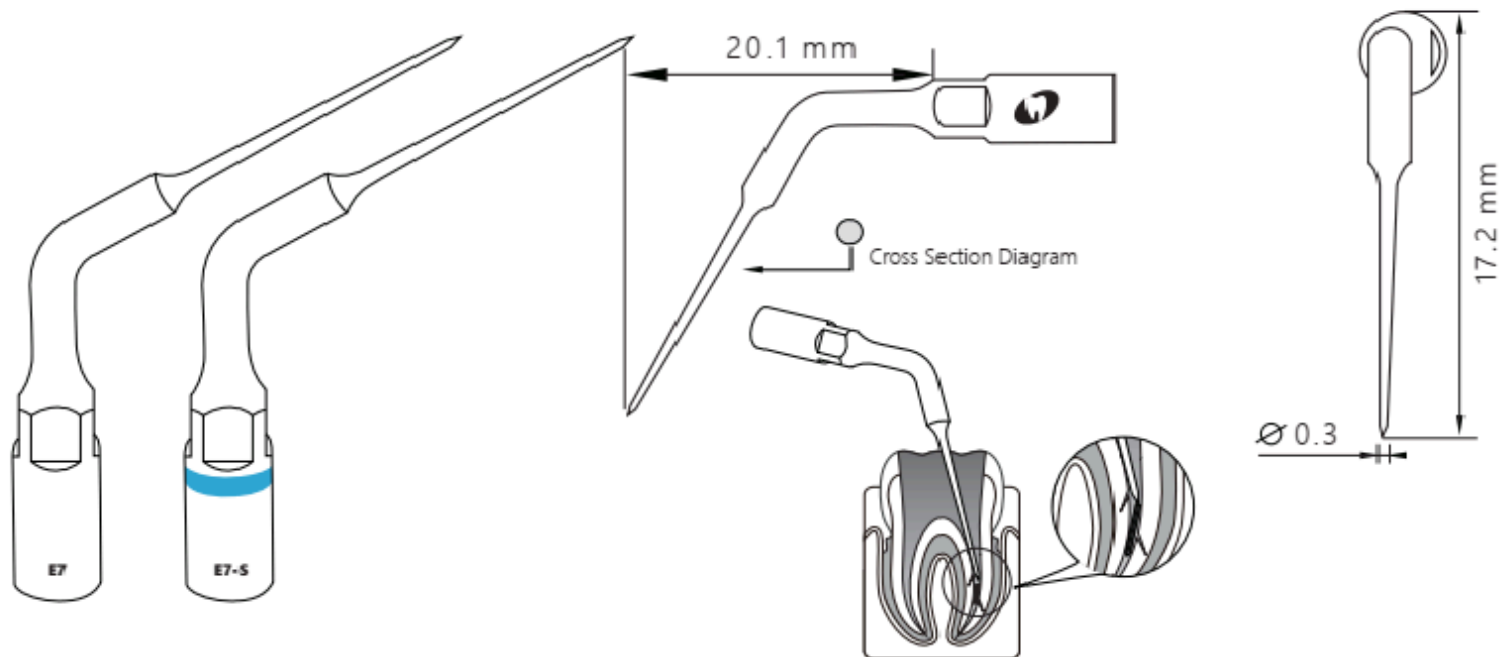
EMS[®] E7

Satelec[®] E7-S

Order Code 6680542

Order Code 6680660

Function Description: Removal of broken instrument



Mode: E
Power: 1-3



Recommended
Service Life
50 root canals



Water Flow Rate
mid&high

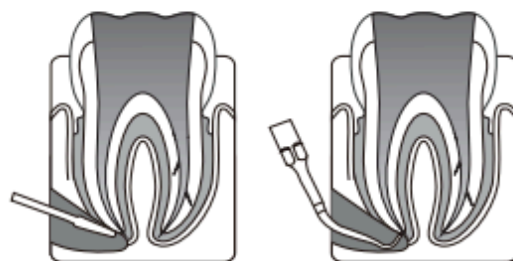
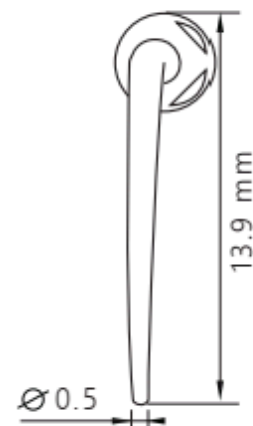
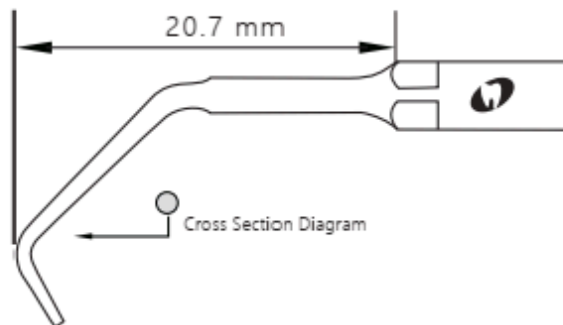
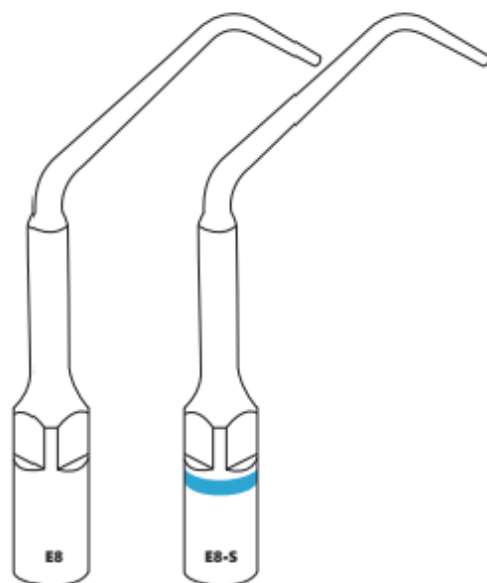
EMS® E8

Satelec® E8-S

Order Code 6680608

Order Code 6680614

Function Description: Used to brush the canal walls during re-treatment



Mode: E
Power: 1-6



Recommended
Service Life
50 root canals



Water Flow Rate
low, mid & high

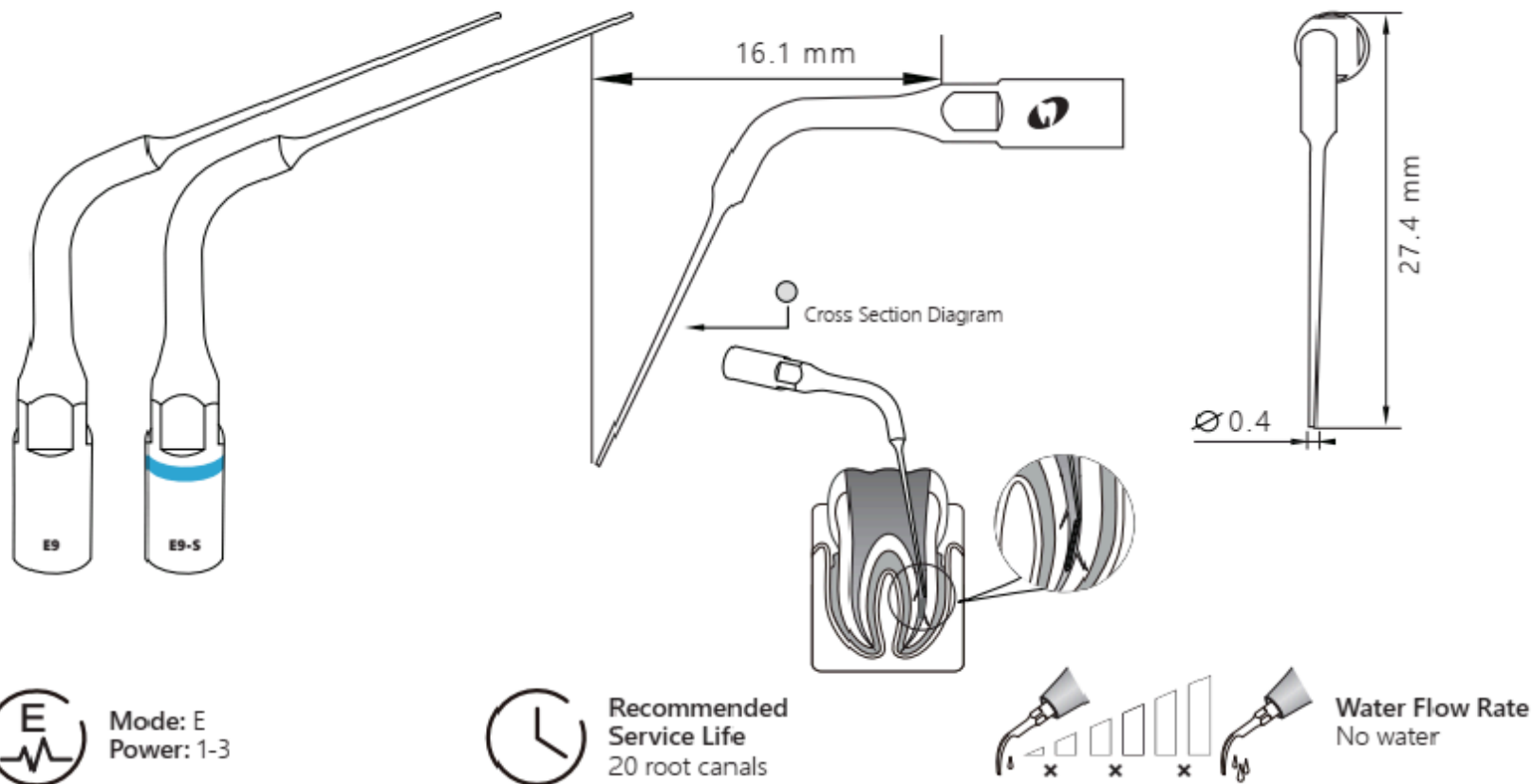
EMS® E9

Order Code 6680609

Satelec® E9-S

Order Code 6680615

Function Description: Flexible, used for irrigation



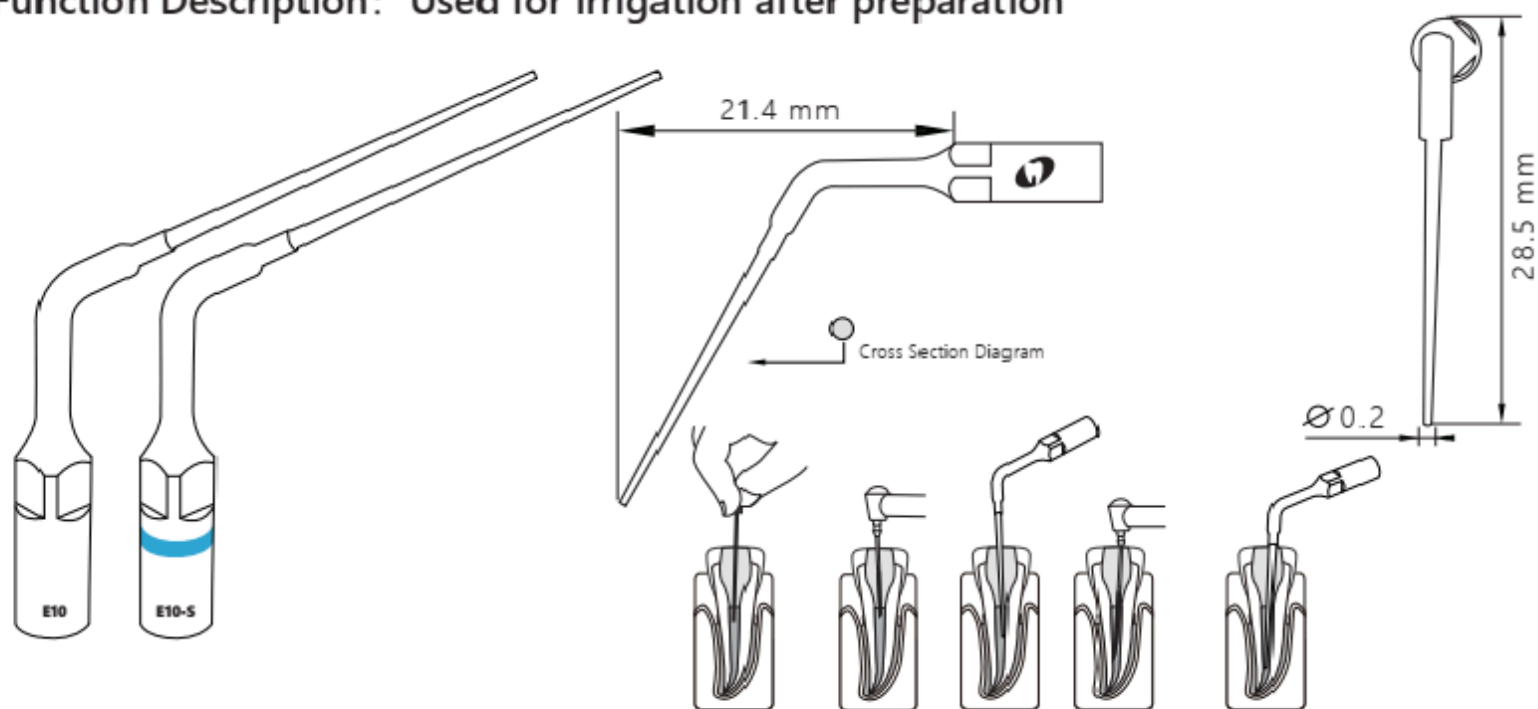
EMS[®] E10

Satelec[®] E10-S

Order Code **6680610**

Order Code **6680616**

Function Description: Used for irrigation after preparation



Mode: E
Power: 1-3



Recommended
Service Life
50 root canals



Water Flow Rate
mid&high

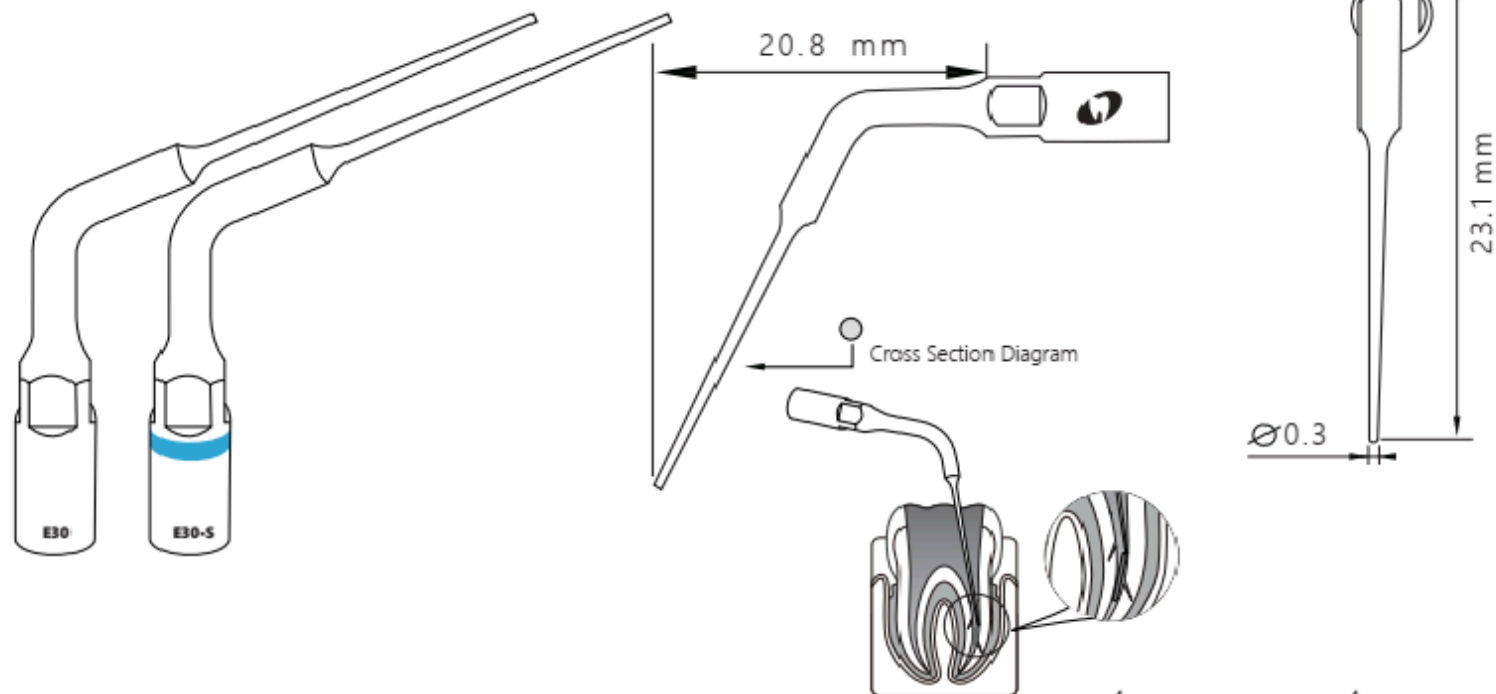
EMS[®] E30

Satelec[®] E30-S

Order Code 6680611

Order Code 6680661

Function Description: Removal of deep foreign particles in canal



Mode: E
Power: 1-3



Recommended
Service Life
50 root canals



Water Flow Rate
low&mid

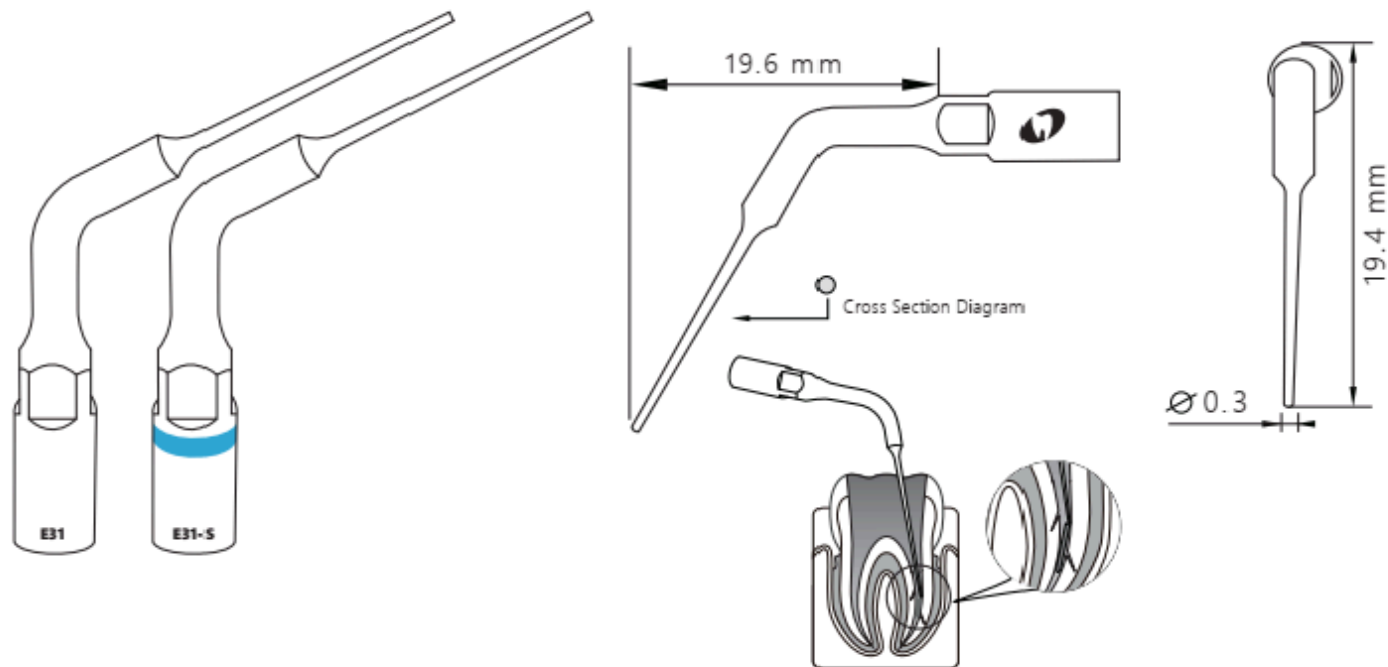
EMS[®] E31

Satelec[®] E31-S

Order Code 6680612

Order Code 6680662

Function Description: Removal of foreign particles in one-third of the canal



Mode: E
Power: 1-3



Recommended
Service Life
50 root canals



Water Flow Rate
low&mid

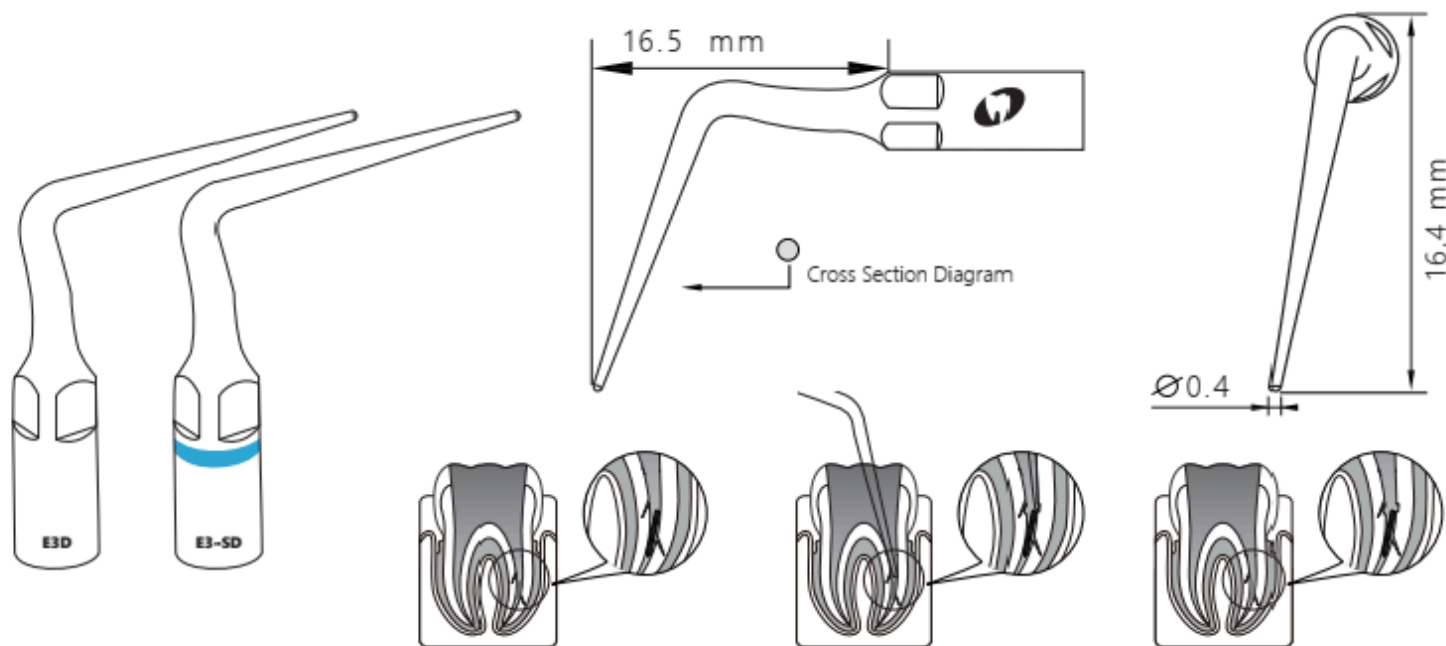
EMS[®] E3D

Satelec[®] E3-SD

Order Code 6680651

Order Code 6680638

Function Description: Enlargement of the canal walls to remove the broken instrument



Mode: E
Power: 1-3



Recommended
Service Life
50 root canals



Water Flow Rate
low, mid & high

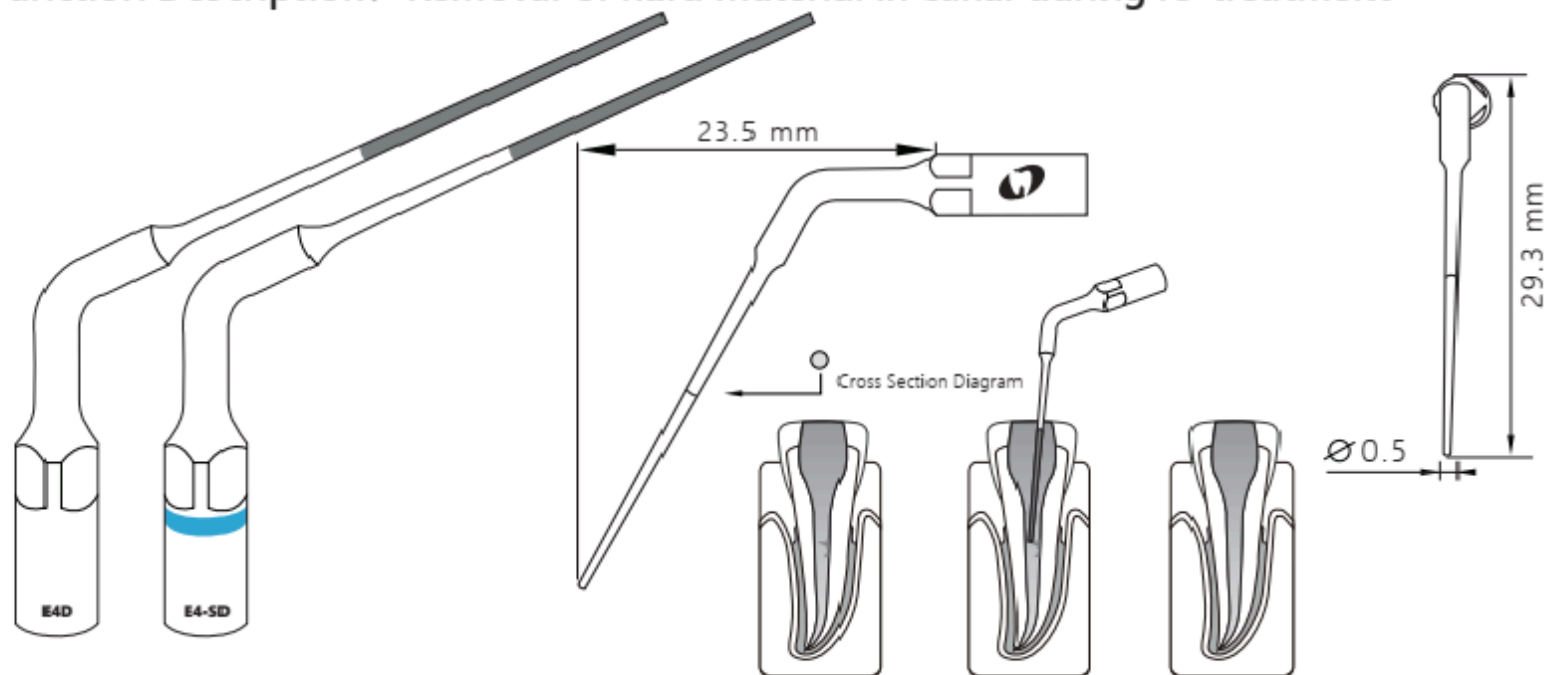
EMS® E4D

Satelec® E4-SD

Order Code 6680652

Order Code 6680639

Function Description: Removal of hard material in canal during re-treatment



Mode: E
Power: 1-3



Recommended
Service Life
50 root canals



Water Flow Rate
No water

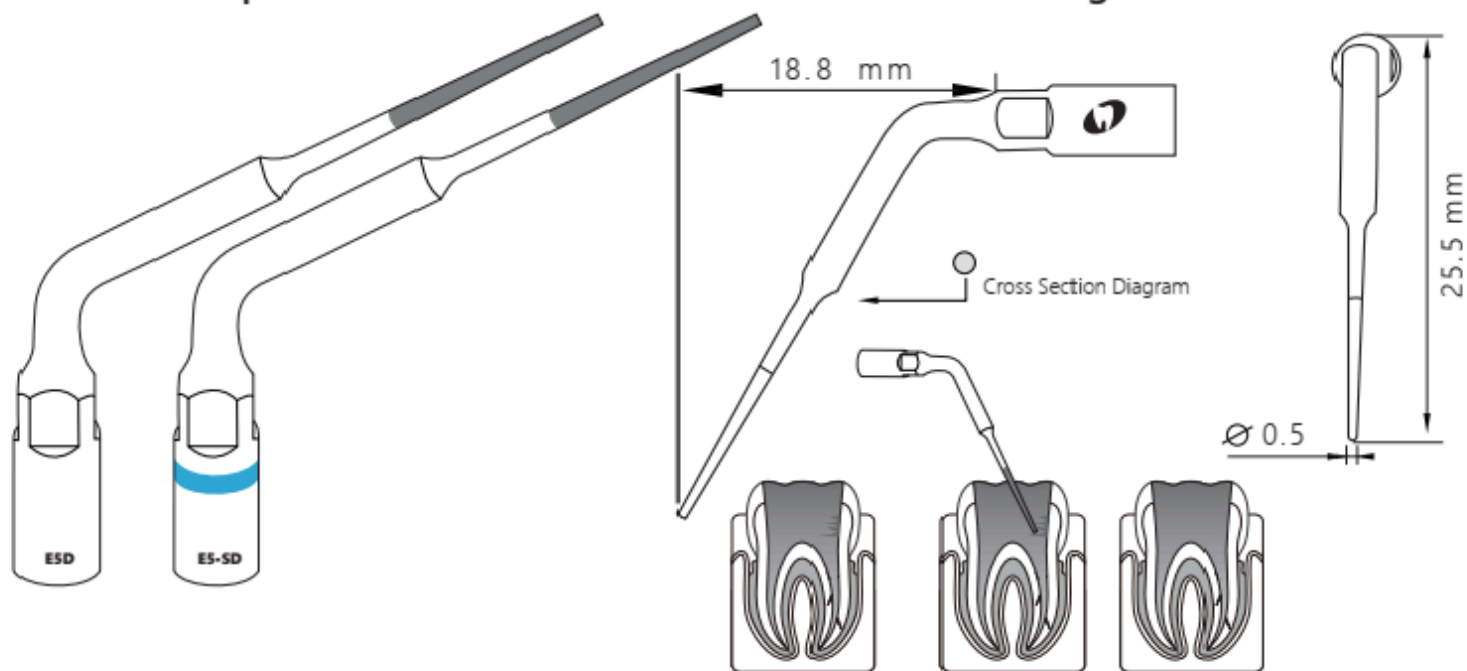
EMS[®] E5 D

Order Code 6680653

Satelec[®] E5-SD

Order Code 6680640

Function Description: Removal of hard material in canal during re-treatment



Mode: E
Power: 1-3



Recommended
Service Life
50 root canals



Water Flow Rate
No water

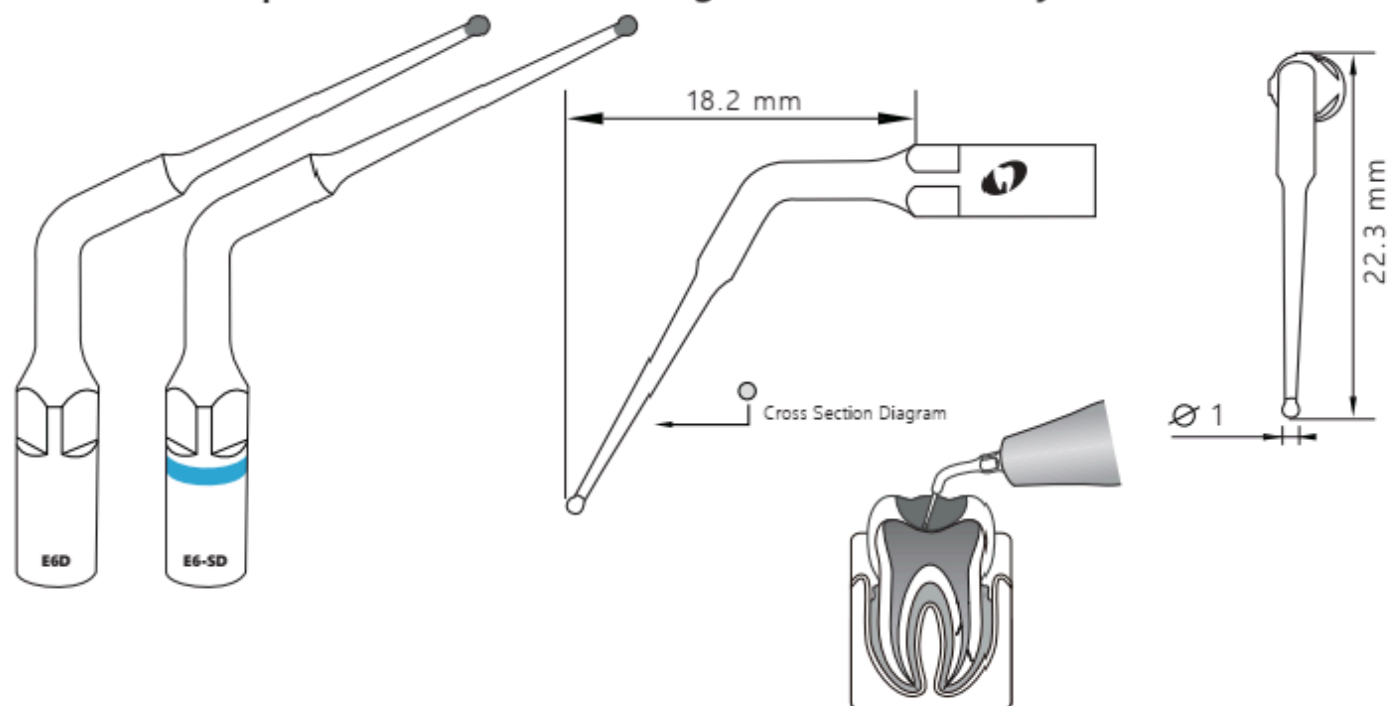
EMS[®] E6D

Satelec[®] E6-SD

Order Code 6680632

Order Code 6680641

Function Description: Removal of foreign material in cavity to access canal orifice



Mode: E
Power: 1-10



Recommended
Service Life
50 root canals



Water Flow Rate
mid&high

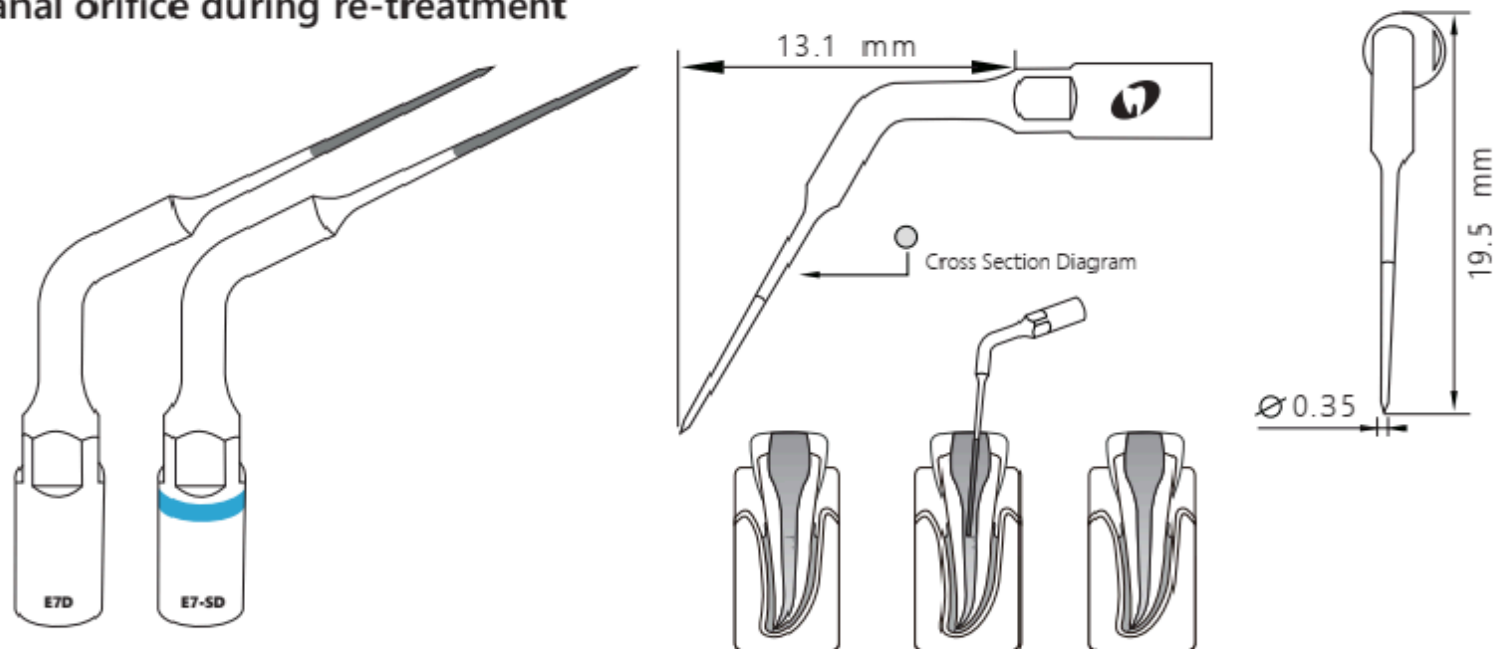
EMS[®] E7D

Order Code **6680633**

Satelec[®] E7-SD

Order Code **6680642**

Function Description: Removal of calcification and filling material in cavity to access canal orifice during re-treatment



Mode: E
Power: 1-3



Recommended
Service Life
30 root canals



Water Flow Rate
mid&high

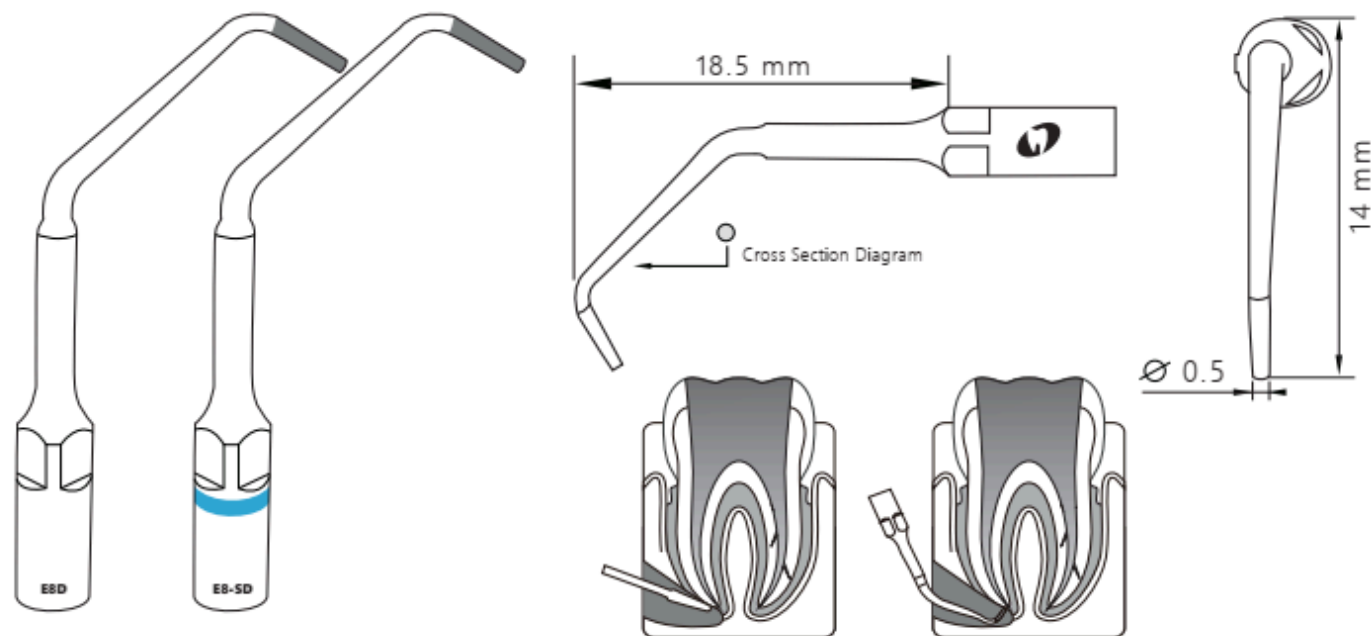
EMS[®] E8D

Satelec[®] E8-SD

Order Code 6680634

Order Code 6680643

Function Description: Used for root canal retrogression, efficient root apical polishing



Mode: E
Power: 1-6



Recommended
Service Life
50 root canals

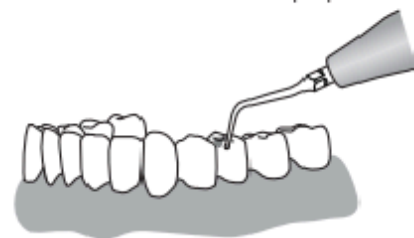
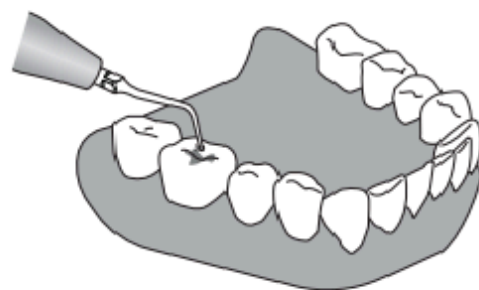
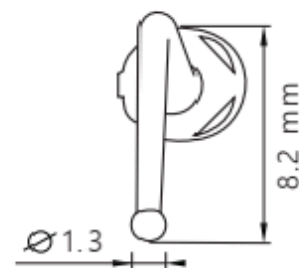
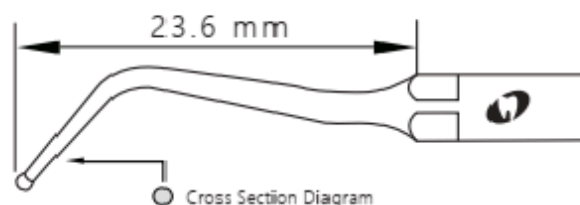
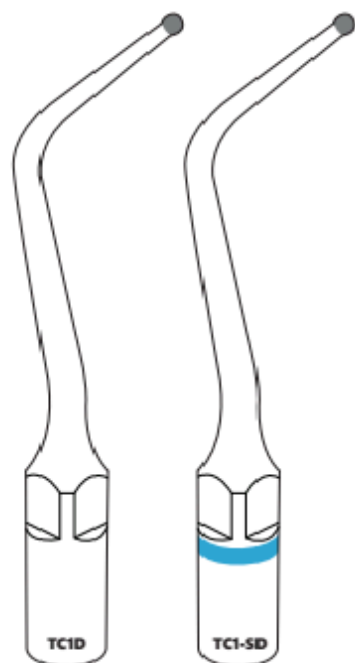


Water Flow Rate
low, mid & high

EMS[®] TC1D
Satelec[®] TC1-SD

Order Code **6680648**
Order Code **6680650**

Function Description: Removal cervical caries and caries on the occlusal surface



Mode: P
Power: 1-10



Recommended Service Life
50 Teeth



Water Flow Rate
low, mid & high



Instagram



YouTube



Facebook



Changzhou Sifary Medcial Technology Co., Ltd

Add: NO.99, Qingyang Road, Xuejia County, Xinbei District, Changzhou City, 213000 Jiangsu, China

Email: ivy@sifary.com

Web: www.eighteeth.com

DISTRIBUTED BY



ΦΛΩΡΟΣ DENTAL ^{plus}

Εγνατία 88, 54623 Θεσσαλονίκη, Τηλ. 2310 224203

www.florosdental.gr - info@florosdental.gr